



PRODUCT CATALOG

2022/1

Contents

Model	Rim diameter (inch)	Size	Page
Special tire modification			6
Tires for agricultural and special machinery			
NorTec TRC-37	48	270/95R48	8
NorTec TRC-27	48	9,5R48	9
NorTec TRC-27	44	9,5R44	10
NorTec TA-01	42	710/70R42	11
NorTec TA-01	42	520/85R42	12
NorTec TA-01	42	650/65R42	12
NorTec TA-01	42	620/70R42	13
NorTec TA-02	42	580/70R42	14
NorTec Ф-289	42	9,5R42	15
Altaishina 183	42	9,5-42	16
NorTec TA-01	38	710/70R38	17
NorTec TA-01	38	20,8R38 (520/85R38)	18
NorTec TA-02	38	520/70R38	19
NorTec TA-02	38	18,4R38	20
NorTec TA-03	38	16,9R38	21
Altaishina Ф-2АД/ Forward AC Ф-2АД	38	15,5-38	22
NorTec TA-02/NorTec TA 02-1	38	15,5R38	23
Altaishina Я-166	38	13,6-38	24
NorTec FL-31	38	800/70R38	25
NorTec FL-31	38	650/85R38	26
NorTec TA-01	34	600/65R34	27
NorTec TA-03	34	18,4R34	28
NorTec TA-04	32	30,5R32	29
Nortec TA-04-1	32	30,5R32	29
NorTec H-04	32	30,5L-32	30
NorTec H-05	32	800/65R32	31
NorTec H-05	32	650/75R32	32
NorTec Ф-268 /Forward Ф-268	32	9,5R32	33
Altaishina B-110	32	9,5-32	34
NorTec FL-31	32	900/60R32	35
NorTec FL-31	30	600/70R30	36
NorTec FL-31	30	540/65R30	37
NorTec TA-01	30	420/90R30	38
NorTec TA-01	30	420/85R30	39
NorTec Taiga LS-01	26,5	750/55B26,5	40
NorTec Taiga LS-01	26,5	710/45B26,5	41
NorTec Taiga LS-01	26,5	600/55B26,5	42
NorTec TA-02	26	28,1R26	43
NorTec H-23	26	28LR26	44
NorTec TA-04/Ф-37	26	23,1R26	45
NorTec H-04	26	23,1-26	46
NorTec FL-26	25	1200/50-25	47
NorTec FL-29	25	1050/50R25	48
NorTec AC-200	24	420/70R24	49
NorTec AC-202	24	380/70R24	50
NorTec AC-203	24	360/70R24	51
NorTec TA-05	24	21,3/70R24	52
NorTec H-05/ИЯВ-79	24	21,3/70-24	53
NorTec H-05/ИЯВ-79	24	21,3-24	53
NorTec H-05	24	18,4-24	54
NorTec AC-201	24	14,9R24	55

NorTec IM-36	22,5	600/50R22,5	56
NorTec IM-35	22,5	560/60R22,5	57
NorTec IM-36	22,5	500/60R22,5	58
Altaishina 45/ NorTec IM-45	20	9.00-20	59
Forward AC B-105A	20	8.3-20	60
Forward AC B-103/ Altaishina B-103	20	7.50-20	61
NorTec TA-03	20	16.0/70-20IMP	62
NorTec TA-02	20	13.6-20	63
NorTec F-35/Altaishina Φ-35	20	11.2-20	64
Altaishina КΦ-97	18	16.5/70-18	65
Altaishina КΦ-105A/ NorTec КΦ-105A	18	15.5/65-18	66
NorTec IM-21	18	12.5/80-18	67
NorTec IM-06	16	13.0/75-16	68
NorTec TS-07	16	12.4L-16	69
Forward AC Л-163/ Altaishina Л-163	16	12-16	70
Forward AC-8	16	9.00-16	71
NorTec IM-14	16	9.00-16	72
NorTec IM-14-1	16	9.00-16	73
NorTec IM-08	16	6.00-16	74
NorTec IM-15	16	6.50-16	75
NorTec TS-01	16	7.50L-16	76
NorTec IM-22	15,5	400/60-15,5	77
NorTec IM-21	15,3	11,5/80-15,3	78
NorTec IM-17/ Altaishina 2	15,3	10,0/75-15,3	79
NorTec IM-24	15,3	10,0/75-15,3	80
NorTec TS-16/ Altaishina 30	15,3	10,0/75-15,3	81
NorTec IM-17	15	11L-15	82
NorTec IM-18/ Altaishina 372	15	8,25-15	83
Altaishina 421	12	6L-12	84
Altaishina B-19A	10	5.00-10	85
NorTec IM-10	10	4.00-10	86
Tires for industrial machinery			
NorTec TC-107	28	18.4-26	88
NorTec TC-107-1	28	16.9-28	89
NorTec ER-125	25	15.5-25	90
NorTec TC-19	25	29.5/75R25	91
NorTec ДΦ-16A	25	28.1-25	92
NorTec ER-122	25	26.5-25	93
NorTec ER-205	25	26.5-25	94
NorTec IND 247	25	23.5-25	95
NorTec ER-106	25	23.5-25	96
NorTec ER-205	25	23.5-25	97
NorTec ER-612	25	23.5-25	98
NorTec ER-106	25	20.5-25	99
NorTec ER-612	25	20.5-25	99
NorTec ER-205	25	20.5-25	97
NorTec ER-121	25	17.5-25	100
NorTec ER-205	25	17.5-25	98
NorTec ER-612	25	17.5-25	99
NorTec ER-106	25	17.5-25	99
NorTec IND 76	25	18.00-25	101
NorTec TA-05	24	21,3/70R24	102
NorTec H-05	24	21,3-24 (21,3/70-24)	103
NorTec TC-108	24	16.9-24	104
Forward Industrial 140	24	16.00-24	105
NorTec GD-106	24	14.00-24	106
NorTec TC-106	20	16.0/70-20	107

NorTec GD-113	20	14.00-20	108
NorTec ER-112	20	12.00-20	109
NorTec CT-311	20	11.00-20	110
NorTec ER-109	20	10.00-20	111
NorTec TC-106	18	12.5/80-18	112
NorTec IND 02	16.5	12.00-16.5	113
NorTec ER-218	16.5	12.00-16.5	114
Nortec ER-228	16,5	12,00-16,5	115
NorTec ER-117/ Altaishina Ф-201	15.3	10.0/75-15.3	116
NorTec FT-216/ Altaishina ЛФ-268	15	8.25-15	117
NorTec FT-210	15	8.15-15	118
NorTec FT-215	12	7.00-12	119
NorTec FT-214	12	7.00-12	120
NorTec FT-215	10	6.50-10	119
NorTec FT-214	10	6.50-10	120
NorTec FT-214	9	6.00-9	121
NorTec FT-215	9	6.00-9	122
NorTec FT-215	8	5.00-8	121
NorTec FT-214	8	5.00-8	122

Tires for trucks, buses, trolleybuses

ИД-370	21	215/75R21 (1350x550-533)	124
ВИ-3	21	530/70-21 (1300x530-533)	125
Forward Traction И-П184	21	1220x400-533	126
NorTec TR-1260/ Forward Traction 1260	21	425/85R21	127
NorTec TR-1260-1	21	425/85R21	128
NorTec TR 184-1	21	425/85R21	129
Forward Traction ИД-П284	20	500/70-508 (1200x500-508)	130
И-159	20	16.00-20	131
Altaishina ОИ-25	20	14.00-20	132
Forward Traction 310	20	12.00R20	133
Forward Traction 75	20	12.00R20	134
Altaishina ИД-304	20	12.00R20	135
Altaishina ВИ-243	20	12.00-20	136
Altaishina И-332	20	12.00R20	137
NorTec TR-93/Forward Traction M-93/Altaishina M-93	20	12.00-20	138
Forward Traction 310	20	11.00R20	139
Altaishina И-111А	20	11.00R20	140
Forward Traction И-281/ Forward Traction 281	20	10.00R20	141
Forward Traction 310	20	10.00R20	142
Forward Traction ОИ-73Б/ Altaishina ОИ-73Б	20	10.00R20	143
Forward О-40БМ	20	9.00R20	144
Forward Traction И-Н142Б	20	9.00R20	145
Altaishina КИ-63	20	8.25R20	146
Forward Traction К-84	20	8.25R20	147
Altaishina 111	20	8.25R20	148
Altaishina 79	20	8.25R20	149
NorTec TR-115	18	12.00R18	150
Nortec TR 70	18	12.00-18	151

Tires for light trucks

Forward Professional 359	16	225/75R16C	153
Forward Professional 218	16	225/75R16C	154
Forward Professional 219	16	225/75R16	155

Forward Professional 153	16	225/75R16	156
Forward Professional 600	16	205/75R16C	157
Forward 131	16	195R16C	158
Forward Professional 139	16	195R16C	159
NorTec LT-610	16	185/75R16C	160
Forward Professional 600	16	185/75R16C	161
Forward Professional 301	16	185/75R16C	162
BC-1	16	185/75R16C	163
Forward Professional A-12	16	185/75R16C	164
Forward Professional 156	16	185/75R16C	165
Forward Professional 170	16	185/75R16C	166
Forward Professional 462	16	175R16C	167
Forward Professional 218	16	175R16C	168
Forward Professional 520	15	235/75R15	169
Forward Professional И-502	15	225/85R15C	170
Altaishina Я-245	15	215/90-15C	171
Tires for off-road vehicles, crossovers			
NorTec ET-500	16	290/85-16 (35x11.5-16)	173
NorTec ET-500	16	265/80-16 (33x10.5-16)	173
NorTec ET-500	16	240/85-16 (32x9.2-16)	173
NorTec MT-540	16	225/75R16	174
NorTec MT-540	16	215/65R16	174
NorTec WT-590	16	215/65R16	175
NorTec WT-580	16	205/70R16	176
Forward Dinamic 156	16	185/75R16	177
Forward Dinamic 232	16	185/75R16	178
Forward Arctic 511	16	175/80R16	179
Forward Safari ВЛИ-10/ Altaishina ВЛИ-10	16	175/80R16	180
Forward Safari ВЛИ-5/ Altaishina ВЛИ-5	16	175/80-16C	181
NorTec ET-600/ Forward Safari 500	15	33x12.5-15	182
Forward Safari 500	15	31x10.5-15LT	183
Forward Safari 530	15	235/75R15	184
Forward Safari 540	15	235/75R15	185
Forward Safari 510	15	215/90-15C	186
NorTec AT-560	15	215/75R15	187
Forward Safari 540	15	205/75R15	188
Supernumerary car inner tubes			189
Valve specifications			191
Tire flaps			195
Car tire marking			196

www.nortec-tyres.com
**We are together with you under any
conditions.**

Specifications Information

IMPORTANT

The catalog for agricultural and industrial tires shows the range of permitted speeds and the corresponding permitted loads.

In accordance with the current labelling standards, the rated speed and load indices as approved in the normative and technical documentation for the tires produced are marked on the tire sidewall. If the tire certification is required, the rated load and speed indices shall also be indicated in the certificates of conformity.

The tires supplied for the needs of the Ministry of Defense of the Russian Federation and other security agencies have different indicators from the series-produced tires according to GOST 13298, GOST 5513, GOST 4754:

- Warranty lifetime;
- Warranty storage period.

A number of models produced for the needs of the Ministry of Defense of the Russian Federation and other security agencies may differ from series-produced tires with respect to other technical specifications.

For example:

- Load indices;
- Speed indices.

The production of these tires requires the equipment reconfiguration. An order shall be placed at least 30 days before the start of production.

The tires available in tropical and arctic versions may also have specifications differing from those ones of series-produced tires. Due to the equipment reconfiguration, a production order shall be placed at least 30 days before the start of production.

All tires in this catalog are available in both arctic (for northern latitudes) and tropical (for southern latitudes) versions by changing the rubber compound.

According to GOST, the tires shall be labeled as follows:



Tropic version.



Arctic version.

Tires for agricultural and special machinery

**We are together with you
under any conditions**

Affordability.
The prices work for the customer.

The advanced technologies make it possible to minimize production costs and improve quality. Thanks to the automation of production management processes as well as the work of NORTEC specialists in the cost optimization, we are able to offer our customers good prices. The company plans to continue its focus on affordable, high-quality products in the future as well.



Tires for agricultural and special machinery

NORTEC™

NorTec TRC-37



Tire size	270/95R48
Standard name	TS 38.304-259
Pattern type	Ground grip
Tread pattern height in the middle, mm	32,5
Ply rating	-
Tire weight, not more than, kg	79,0
Load-bearing capacity index	144
Recommended/additional rim	W8/W10
Outside diameter, mm	1733±26
Tire section width, mm, not more than	275
Static radius, mm	820±13
Q, kgf	2800/2800/4200
V, km/h (index)	40(A8)/50(B)/10(A2)
P_{or} at Q_{max} , kPa	390
Version	TL
Application	For drive wheels of tractors and other self-propelled agricultural machinery, when cultivating space between rows

Tires for agricultural and special machinery

NORTEC™

NorTec TRC-27



For agricultural and
special machinery

Tire size	9,5R48
Standard name	TS 38.304-267
Pattern type	Ground grip
Tread pattern height in the middle, mm	35
Ply rating	-
Tire weight, not more than, kg	59,5
Load-bearing capacity index	136/139
Recommended/additional rim	W8/W7
Outside diameter, mm	1650±25
Tire section width, mm, not more than	241
Static radius, mm	787±12
Q, kgf	2240/2450/3360
V, km/h (index)	65(D)/40(A8)/10(A2)
P_{or} at Q_{max} , kPa	350
Version	TL
Application	For drive wheels of tractors and other self-propelled agricultural machinery, when cultivating space between rows

Tires for agricultural and special machinery

NORTEC™

NEW

NorTec TRC-27



Tire size	9,5R44
Standard name	TS 38.304-266
Pattern type	Ground grip
Tread pattern height in the middle, mm	35
Ply rating	-
Tire weight, not more than, kg	60,1/55,1
Load-bearing capacity index	134/137
Recommended/additional rim	W8/W7
Outside diameter, mm	1550±23
Tire section width, mm, not more than	241
Static radius, mm	730±18
Q, kgf	2120/2300/3180
V, km/h (index)	65(D)/40(A8)/10(A2)
P ₀ at Q _{r max} , kPa	350
Version	TT/TL
Application	For drive wheels of tractors and other self-propelled agricultural machinery, when cultivating space between rows

Tires for agricultural and special machinery

NORTEC™

NorTec TA-01



For agricultural and
special machinery

Tire size	710/70R42		520/85R42
Standard name	TS 38.304-181		TS 38.304-180
Pattern type	Ground grip		
Tread pattern height in the middle, mm	55		50
Ply rating	-		
Tire weight, not more than, kg	313,9	348,7	220,1
Load-bearing capacity index	176	180	162
Recommended/additional rim	DW23B		W16/W18
Outside diameter, mm	2055±31		1950±29
Tire section width, mm, not more than	740		537
Static radius, mm	936±23		891±22
Q, kgf	7100/ 10650	8000/ 12455	4750/4750/7125
V, km/h (index)	65(D)/10(A2)		40(A8)/50(B) 10(A2)
P ₀ at Q _{max} , kPa	235	315	235
Version	TL		
Application	710/70R42 drive wheels of NEW HOLLAND FR 9040-9090, CR 90609060 harvesters and K-B140 tractors, and other domestic and foreign agricultural vehicles 520/85R42 drive wheels of tractors such as John Deere, Case, New Holland, Valtra, Claas etc.		

Tires for agricultural and special machinery

NORTEC™

NorTec TA-01



Tire size	650/65R42	
Standard name	TS 38.304-221	
Pattern type	Ground grip	
Tread pattern height in the middle, mm	50	
Ply rating	-	
Tire weight, not more than, kg	233,5	
Load-bearing capacity index	165	168
Recommended/additional rim	DW20B/W18L	
Outside diameter, mm	1926±29	
Tire section width, mm, not more than	635	
Static radius, mm	868±22	
Q, kgf	5150/7210	5600/7210
V, km/h (index)	65 (D)/10(A2)	40(A8)/10(A2)
P_{0r} at Q_{max} , kPa	235	
Version	TL	
Application	For drive wheels of tractors such as John Deere, CASE and MTZ	

Tires for agricultural and special machinery

NORTEC™

NorTec TA-01



For agricultural and
special machinery

Tire size	620/70R42	
Standard name	TS 38.304-220	
Pattern type	Ground grip	
Tread pattern height in the middle, mm	47	
Ply rating	-	
Tire weight, not more than, kg	237,0	262,0
Load-bearing capacity index	160/157	
Recommended/additional rim	DW20A/W18L	
Outside diameter, mm	1935±29	
Tire section width, mm, not more than	625	
Static radius, mm	885±22	
Q, kgf	4500/4125/6750	
V, km/h (index)	40(A8)/50(B)/10(A2)	
P ₀ at Q _{max} , kPa	155	
Version	TL	TT
Application	For drive wheels of tractors such as John Deere and CLAAS	

Tires for agricultural and special machinery

NORTEC™

NorTec TA-02



Tire size	580/70R42		
Standard name	TS 38.304-226		
Pattern type	Ground grip		
Tread pattern height in the middle, mm	45		
Ply rating	-		
Tire weight, not more than, kg	229,0/262,7		
Load-bearing capacity index	158	155	158
Recommended/ additional rim	DW18L/DW18		
Outside diameter, mm	1900±28		
Tire section width, mm, not more than	585		
Static radius, mm	870±22		
Q, kgf	4250/6375	3875/6120	4250/6375
V, km/h (index)	40(A8)/10(A2)	50(B)/10(A2)	65(D)/10(A2)
P_{0r} at Q_{max} , kPa	155		
Version	TL/TT		
Application	For drive wheels of MTZ tractors		

Tires for agricultural and special machinery

NORTEC™

NorTec Φ-289



For agricultural and
special machinery

Tire size	9.5R42
Standard name	TS 38.304-258
Pattern type	Ground grip
Tread pattern height in the middle, mm	30
Ply rating	-
Tire weight, not more than, kg	57,8/63,2
Load-bearing capacity index	118
Recommended/additional rim	W8/W7
Outside diameter, mm	1500±22
Tire section width, mm, not more than	241
Static radius, mm	720±18
Q, kgf	1320/1845
V, km/h (index)	30(A6)/10(A2)
P ₀ at Q _{max} , kPa	235
Version	TL/TT
Application	For drive wheels of tractors and other self-propelled agricultural machines when cultivating space between rows under conditions of soft soil, arable land and stubble

Tires for agricultural and special machinery

NORTEC™

Altaishina 183



Tire size	9.5-42
Standard name	TS 38.304-111
Pattern type	Ground grip
Tread pattern height in the middle, mm	30
Ply rating	6
Tire weight, not more than, kg	62,0
Load-bearing capacity index	116
Recommended/additional rim	W8/DW8
Outside diameter, mm	1512±23
Tire section width, mm, not more than	241
Static radius, mm	725±18
Q, kgf	1250/1750
V, km/h (index)	30(A6)/10(A2)
P_{0r} at Q_{max} , kPa	205
Version	TT
Application	Drive wheels of tractors such as MTZ-50, MTZ-52, T-40, T-40A, T-30, T-35 and other tractors designed for cultivating space between rows and other works in the agricultural production

Tires for agricultural and special machinery

NORTEC™

NorTec TA-01



For agricultural and
special machinery

Tire size	710/70R38; 710/70R38 FS
Standard name	TS 38.304-182
Pattern type	Ground grip
Tread pattern height in the middle, mm	55
Ply rating	-
Tire weight, not more than, kg	268,3
Load-bearing capacity index	166/169
Recommended rim	DW23B
Outside diameter, mm	1922±28
Tire section width, mm, not more than	703
Static radius, mm	892±22
Q, kgf	5300/5800/7420
V, km/h (index)	65(D)/40(A8)/10(A2)
P ₀ at Q _{max} , kPa	195
Version	TL
Application	710/70R38 drive wheels of powerful tractors such as MTZ-2522 and John Deere, Case, Claas Ares etc.

Tires for agricultural and special machinery

NORTEC™

NorTec TA-01



Tire size	20.8R38(520/85R38)
Standard name	TS 38.304-247
Pattern type	Ground grip
Tread pattern height in the middle, mm	52
Ply rating	-
Tire weight, not more than, kg	191,7
Load-bearing capacity index	155/152
Recommended/additional rim	W16/W18
Outside diameter, mm	1828±27
Tire section width, mm, not more than	536
Static radius, mm	814±20
Q, kgf	3875/3550/5810
V, km/h (index)	40(A8)/50(B)/10(A2)
P_{0r} at Q_{max} , kPa	155
Version	TL
Application	For drive wheels of combine harvesters, tractors, attached implements and other agricultural machinery

Tires for agricultural and special machinery

NORTEC™

NorTec TA-02



For agricultural and
special machinery

Tire size	520/70R38	
Standard name	TS 38.304-155	
Pattern type	Ground grip	
Tread pattern height in the middle, mm	50	
Ply rating	-	
Tire weight, not more than, kg	194,7/185,1	
Load-bearing capacity index	150	147
Recommended rim	W18L	
Outside diameter, mm	1749±26	
Tire section width, mm, not more than	516	
Static radius, mm	825±20	
Q, kgf	3350/3075/5325	
V, km/h (index)	40(A8)/50(B)/10(A2)	
P ₀ at Q _{max} , kPa	155	
Version	TT/TL	
Application	For drive wheels of MTZ tractors and other agricultural machines	

Tires for agricultural and special machinery

NORTEC™

NorTec TA-02



Tire size	18.4R38		
Standard name	TS 38.304-160		
Pattern type	Ground grip		
Tread pattern height in the middle, mm	40		
Ply rating	8	10	16
Tire weight, not more than, kg	160,6	170,6	177,2
Load-bearing capacity index	146	152	165
Recommended/additional rim	W16L/DW16L, W15L		
Outside diameter, mm	1750±26		
Tire section width, mm, not more than	467		
Static radius, mm	790±20		
Q, kgf	3000/4500	3550/5325	5150/7725
V, km/h (index)	40(A8)/10(A2)		
P_{σ} at Q_{max} , kPa	155	195	315
Version	TT		
Application	For drive wheels of agricultural tractors		

Tires for agricultural and special machinery

NORTEC™

NorTec TA-03



For agricultural and
special machinery

Tire size	16.9R38
Standard name	TS 38.304-142
Pattern type	Ground grip
Tread pattern height in the middle, mm	35
Ply rating	8
Tire weight, not more than, kg	129,9
Load-bearing capacity index	141
Recommended/additional rim	W15L/W14L, DW14L
Outside diameter, mm	1675±25
Tire section width, mm, not more than	429
Static radius, mm	770±19
Q, kgf	2575/3860
V, km/h (index)	40(A8)/10(A2)
P_o , at Q_{max} , kPa	155
Version	TT
Application	For drive wheels of universal tractors with the drawbar category of 1.4-3.0 tf

Tires for agricultural and special machinery

NORTEC™

Altaishina Φ -2AД/ Forward AC Φ -2AД



Tire size	15.5-38
Standard name	TS 38.304-058
Pattern type	Ground grip
Tread pattern height in the middle, mm	32
Ply rating	8
Tire weight, not more than, kg	90,6
Load-bearing capacity index	137
Recommended rim	DW14L
Outside diameter, mm	1575±24
Tire section width, mm, not more than	394
Static radius, mm	750±19
Q, kgf	2300/3220
V, km/h (index)	30(A6)/10(A2)
P_{0r} at Q_{max} , kPa	175
Version	TT
Application	For drive wheels of MTZ tractors of all brands, YuMZ-6 except for MTZ-80, MTZ-82

Tires for agricultural and special machinery

NORTEC™

NorTec TA-02/ NorTec TA-02-1



For agricultural and
special machinery

Tire size	15.5R38	
Standard name	TS 38.304-157	
Pattern type	Ground grip	
Tread pattern height in the middle, mm	32	26
Ply rating	8	
Tire weight, not more than, kg	93,2	
Load-bearing capacity index	134	
Recommended/additional rim	W14L/DW14L	
Outside diameter, mm	1570±23	
Tire section width, mm, not more than	394	
Static radius, mm	730±18	
Q, kgf	2120/3180	
V, km/h (index)	40(A8)/10(A2)	
P ₀ at Q _{max} , kPa	155	
Version	TT	
Application	Drive wheels of MTZ-80, MTZ-82, MTZ-50, MTZ-52 tractors, YuMZ-64, tractors of 1,4 drawbar category	

Tires for agricultural and special machinery

NORTEC™

Altaishina Я-166



Tire size	13.6-38
Standard name	TS 38.304-162
Pattern type	Ground grip
Tread pattern height in the middle, mm	32
Ply rating	6
Tire weight, not more than, kg	87,4
Load-bearing capacity index	129
Recommended/additional rim	DW12, W12/DW11, W11
Outside diameter, mm	1575±24
Tire section width, mm, not more than	350
Static radius, mm	738±18
Q, kgf	1850/2590
V, km/h (index)	30(A6)/10(A2)
P ₀ at Q _{max} , kPa	155
Version	TT
Application	Designed for tractors and agricultural machines

Tires for agricultural and special machinery

NORTEC™

NorTec FL-31



For agricultural and
special machinery

Tire size	800/70R38	
Standard name	TS 38.304-252	
Pattern type	Ground grip	
Tread pattern height in the middle, mm	62	
Ply rating	-	-
Tire weight, not more than, kg	371,8	
Load-bearing capacity index	173/176	178/181
Recommended/additional rim	DW25A, DW25B/DW27A, DW27B	
Outside diameter, mm	2052±31	
Tire section width, mm, not more than	767	
Static radius, mm	911±14	
Q, kgf	6500/7100/8960	7500/8250/10500
V, km/h (index)	65(D)/40(A8)/10(A2)	
P_{O_2} at Q, max , kPa	155	235
Version	TL	
Application	For drive wheels of tractors such as John Deere, Commandor, New Holland and other domestic and imported agricultural machinery	

Tires for agricultural and special machinery

NORTEC™

NorTec FL-31



Tire size	650/85R38
Standard name	TS 38.304-245
Pattern type	Ground grip
Tread pattern height in the middle, mm	63
Ply rating	-
Tire weight, not more than, kg	379,5
Load-bearing capacity index	173/176
Recommended/additional rim	DW21B/DW20B
Outside diameter, mm	2070±30
Tire section width, mm, not more than	699
Static radius, mm	920±20
Q, kgf	6500/7100/9100
V, km/h (index)	65(D)/40(A8)/10(A2)
P_{0r} at Q_{max} , kPa	235
Version	TL
Application	For drive wheels of tractors such as John Deere, Commandor, New Holland and other domestic and imported agricultural machinery

Tires for agricultural and special machinery

NORTEC™

NorTec TA-01



For agricultural and
special machinery

Tire size	600/65R34
Standard name	TS 38.304-250
Pattern type	Ground grip
Tread pattern height in the middle, mm	52
Ply rating	-
Tire weight, not more than, kg	186,0
Load-bearing capacity index	151
Recommended/additional rim	W18L/W16L
Outside diameter, mm	1644±25
Tire section width, mm, not more than	590
Static radius, mm	740±19
Q, kgf	3450/4830
V, km/h (index)	65(D)/10(A2)
P_{0r} at Q_{max} , kPa	155
Version	TL
Application	For drive wheels of combine harvesters, tractors and other agricultural domestic and foreign machinery

Tires for agricultural and special machinery

NORTEC™

NorTec TA-03



Tire size	18.4R34		
Standard name	TS 38.304-177		
Pattern type	Ground grip		
Tread pattern height in the middle, mm	40		
Ply rating	8	10	14
Tire weight, not more than, kg	149,4	154,0	161,8
Load-bearing capacity index	144	148	157
Recommended/additional rim	DW16/DW15		
Outside diameter, mm	1645±25		
Tire section width, mm, not more than	467		
Static radius, mm	760±19		
Q, kgf	2800/4200	3150/4725	4125/6185
V, km/h (index)	40(A8)/10(A2)		
P ₀ at Q _{max} , kPa	155	195	295
Version	TT		
Application	For drive wheels of universal tractors with the drawbar category of 1.4-3.0 tf		

Tires for agricultural and special machinery

NORTEC™

NorTec TA-04 NorTec TA-04-1



For agricultural and
special machinery

Tire size	30.5R32		
Standard name	TS 38.304-173		
Pattern type	Ground grip		
Tread pattern height in the middle, mm	55		40
Ply rating	12	16	12
Tire weight, not more than, kg	304,8	318,9	251,2
Load-bearing capacity index	162	172	162
Recommended rim	DW27		
Outside diameter, mm	1830±27		
Tire section width, mm, not more than	775		
Static radius, mm	830±21		
Q, kgf	4745/6645	6300/9450	4745/6645
V, km/h (index)	30(A6)/10(A2)	40(A8)/10(A2)	30(A6)/10(A2)
P _{or} at Q, max, kPa	165	235	165
Version	TT		TL
Application	For drive wheels of agricultural tractors and machines		

Tires for agricultural and special machinery

NORTEC™

NorTec H-04



Tire size	30.5L-32			
Standard name	TS 38.304-153			
Pattern type	Ground grip			
Tread pattern height in the middle, mm	50			
Ply rating	12	16	18	22
Tire weight, not more than, kg	295,7	312,6	312,6	312,6
Load-bearing capacity index	162	169	170	177
Recommended rim	DW27			
Outside diameter, mm	1840±25		1830±25	
Tire section width, mm, not more than	775			
Static radius, mm	830±12			
Q, kgf	4750/6650	5750/8625	6000/8400	7300/10220
V, km/h (index)	30(A6)/10(A2)	40(A8)/10(A2)	30(A6)/10(A2)	30(A6)/10(A2)
$P_{O'}$ at Q_{max} , kPa	135	215	155	275
Version	TT			
Application	For drive wheels of grain combine harvesters of DON group, Acros forage combine harvesters KZS-1218, and other domestic and foreign agricultural machinery			

Tires for agricultural and special machinery

NORTEC™

NorTec H-05



For agricultural and
special machinery

Tire size	800/65R32; 800/65R32FS			
Standard name	TS 38.304-184			
Pattern type	Ground grip			
Tread pattern height in the middle, mm	50			
Ply rating	-	-	-	-
Tire weight, not more than, kg	269/288,3	274,2/293,3	274,2/293,3	289,7
Load-bearing capacity index	167/164	172	178	181
Recommended/additional rim	DW27B/DW25B, DH27B			
Outside diameter, mm	1820±27			
Tire section width, mm, not more than	798			
Static radius, mm	830±21			
Q, kgf	5450/ 5000/ 8175	6300/9450	7500/11250	8250/12375
V, km/h (index)	40(A8)/ 50(B)/ 10(A2)	40(A8)/10(A2)		
P ₀ at Q, max, kPa	155	235	315	355
Version	TT/TL			TL
Application	For drive wheels of combine harvesters such as John Deere, Commandor, New Holland, Lexion and other agricultural machines			

Tires for agricultural and special machinery

NORTEC™

NorTec H-05



Tire size	650/75R32	
Standard name	TS 38.304-164	
Pattern type	Ground grip	
Tread pattern height in the middle, mm	50	
Ply rating	-	
Tire weight, not more than, kg	231,6/212,2	249,0/229,5
Load-bearing capacity index	167/164	172/169
Recommended/additional rim	DW21A/DW20A	
Outside diameter, mm	1789±27	
Tire section width, mm, not more than	645	
Static radius, mm	803±20	
Q, kgf	5450/5000/8175	6300/5800/9450
V, km/h (index)	40(A8)/50(B)/10(A2)	
P ₀ at Q _{r max} , kPa	235	315
Version	TT/TL	
Application	For drive wheels of combine harvesters such as John Deere, Commandor, New Holland, Lexion and other agricultural machines	

Tires for agricultural and special machinery

NORTEC™

Forward Φ -268/ NorTec Φ -268



For agricultural and
special machinery

Tire size	95R32
Standard name	GOST 7463
Pattern type	Ground grip
Tread pattern height in the middle, mm	30
Ply rating	-
Tire weight, not more than, kg	46,5
Load-bearing capacity index	112
Recommended/additional rim	W8/W7
Outside diameter, mm	1245±19
Tire section width, mm, not more than	241
Static radius, mm	579±14
Q, kgf	1120/1680
V, km/h (index)	40(A8)/10(A2)
P ₀ , at Q _{r max} , kPa	160
Version	TT
Application	For drive wheels of cultivating tractors HTZ 3510, 2511; VTZ 2511, 2032, T-16M, T-25, T-30-69; MTZ-1221 Besides, this tire is frequently used on seed drills S3-3,6 and S3-3,6A.

Tires for agricultural and special machinery

NORTEC™

Altaishina B-110



Tire size	9.5-32
Standard name	GOST 7463
Pattern type	Ground grip
Tread pattern height in the middle, mm	30
Ply rating	6
Tire weight, not more than, kg	44,8
Load-bearing capacity index	110
Recommended/additional rim	W8/W7
Outside diameter, mm	1240±19
Tire section width, mm, not more than	241
Static radius, mm	590±15
Q, kgf	1065/1490
V, km/h (index)	30(A6)/10(A2)
P_{0r} at Q_{max} , kPa	210
Version	TT
Application	Self-propelled chassis T-16M and drive wheels of T-25 tractors

Tires for agricultural and special machinery

NORTEC™

NorTec FL-31



For agricultural and
special machinery

Tire size	900/60R32	
Standard name	TS 38.304-253	
Pattern type	Ground grip	
Tread pattern height in the middle, mm	56	
Ply rating	-	-
Tire weight, not more than, kg	361,8	380,0
Load-bearing capacity index	176/173	181/178
Recommended/additional rim	DW27B/DW30B	
Outside diameter, mm	1905±29	1910±29
Tire section width, mm, not more than	857	
Static radius, mm	850±21	
Q, kgf	7100/6500/9230	8250/7500/11550
V, km/h (index)	40(A8)/50(B)/10(A2)	
P_{or} at Q_{max} , kPa	235	315
Version	TL	
Application	For drive wheels of combine harvesters, tractors and other agricultural machinery of domestic and foreign manufacturers in field works on soft soil, arable land, stubble and off-road	

Tires for agricultural and special machinery

NORTEC™

NorTec FL-31



Tire size	600/70R30
Standard name	TS 38.304-244
Pattern type	Ground grip
Tread pattern height in the middle, mm	54
Ply rating	-
Tire weight, not more than, kg	199,5
Load-bearing capacity index	152/155
Recommended/additional rim	W18L/DW20B
Outside diameter, mm	1595±24
Tire section width, mm, not more than	625
Static radius, mm	700±18
Q, kgf	3550/3875/4970
V, km/h (index)	65(D)/40(A8)/10(A2)
P_{0r} at Q_{max} , kPa	155
Version	TL
Application	For drive wheels of tractors such as John Deere, Commandor, New Holland and other domestic and imported agricultural machinery

Tires for agricultural and special machinery

NORTEC™

NorTec FL-31



For agricultural and
special machinery

Tire size	540/65R30
Standard name	TS 38.304-264
Pattern type	Ground grip
Tread pattern height in the middle, mm	50
Ply rating	-
Tire weight, not more than, kg	123,4
Load-bearing capacity index	150/153
Recommended/additional rim	W16L/W15L, W18L
Outside diameter, mm	1487±22
Tire section width, mm, not more than	548
Static radius, mm	668±17
Q, kgf	3350/3650/4690
V, km/h (index)	65(D)/40(A8)/10(A2)
$P_{0'}$ at Q_{max} , kPa	235
Version	TL
Application	For drive wheels of combine harvesters, tractors and other agricultural domestic and foreign machinery

Tires for agricultural and special machinery

NORTEC™

NEW

NorTec TA-01



Tire size	420/90R30
Standard name	TS 38.304-265
Pattern type	Ground grip
Tread pattern height in the middle, mm	40
Ply rating	-
Tire weight, not more than, kg	119,9
Load-bearing capacity index	147
Recommended/additional rim	DW13/W13, W14, DW14L
Outside diameter, mm	1533±22
Tire section width, mm, not more than	443
Static radius, mm	690±17
Q, kgf	3075/3075/4000
V, km/h (index)	40(A8)/50(B)/10(A2)
P ₀ at Q _{max} , kPa	235
Version	TL
Application	Intended for drive wheels of tractors such as John Deere, Commandor, New Holland and other domestic and imported agricultural machinery

Tires for agricultural and special machinery

NORTEC™

NEW

NorTec TA-01



For agricultural and
special machinery

Tire size	420/85R30
Standard name	TS 38.304-271
Pattern type	Ground grip
Tread pattern height in the middle, mm	45
Ply rating	-
Tire weight, not more than, kg	127,4
Load-bearing capacity index	140
Recommended/additional rim	DW15L/W13, W14
Outside diameter, mm	1475±22
Tire section width, mm, not more than	424
Static radius, mm	670±17
Q, kgf	2500/2500/3250
V, km/h (index)	40(A8)/50(B)/10(A2)
P_{0r} at $Q_{r\max}$, kPa	155
Version	TL
Application	For drive wheels of domestic and foreign tractors and other self-propelled agricultural machines

Tires for agricultural and special machinery

NORTEC™

NorTec Taiga LS-01



Tire size	750/55B26.5
Standard name	TS 38.304-235
Pattern type	Ground grip
Tread pattern height in the middle, mm	48
Ply rating	20
Tire weight, not more than, kg	297,0
Load-bearing capacity index	177/184
Recommended rim	AG 24.00
Outside diameter, mm	1485±22
Tire section width, mm, not more than	750
Static radius, mm	667±17
Q, kgf	7300/9000
V, km/h (index)	40(A8)/10(A2)
P_{0r} at Q_{max} , kPa	490
Version	TT
Application	For forestry machines operating on hard surfaces as well as off-road and on soft soils

Tires for agricultural and special machinery

NORTEC™

NorTec Taiga LS-01



For agricultural and
special machinery

Tire size	710/45B26.5
Standard name	TS 38.304-234
Pattern type	Ground grip
Tread pattern height in the middle, mm	48
Ply rating	20
Tire weight, not more than, kg	243,2
Load-bearing capacity index	168/175
Recommended rim	AG 24.00
Outside diameter, mm	1340±20
Tire section width, mm, not more than	710
Static radius, mm	618±15
Q, kgf	5600/6900
V, km/h (index)	40(A8)/10(A2)
P ₀ at Q _{r max} , kPa	540
Version	TT
Application	For forestry machines operating on hard surfaces as well as off-road and on soft soils

Tires for agricultural and special machinery

NORTEC™

NorTec Taiga LS-01



Tire size	600/55B26.5
Standard name	TS 38.304-232
Pattern type	Ground grip
Tread pattern height in the middle, mm	48
Ply rating	20
Tire weight, not more than, kg	211,8
Load-bearing capacity index	165/172
Recommended rim	AG 20.00
Outside diameter, mm	1340±20
Tire section width, mm, not more than	600
Static radius, mm	616±15
Q, kgf	5150/6300
V, km/h (index)	40(A8)/10(A2)
P_{0r} at Q_{max} , kPa	490
Version	TT
Application	For forestry machines operating on hard surfaces as well as off-road and on soft soils

Tires for agricultural and special machinery

NORTEC™

NorTec TA-02



For agricultural and
special machinery

Tire size	28.1R26	
Standard name	TS 38.304-179	
Pattern type	Ground grip	
Tread pattern height in the middle, mm	40	
Ply rating	-	
Tire weight, not more than, kg	258,9	272,2
Load-bearing capacity index	158	173
Recommended rim	DW24	
Outside diameter, mm	1735±26	
Tire section width, mm, not more than	770	
Static radius, mm	810±20	
Q, kgf	4200/6300	6500/9750
V, km/h (index)	40(A8)/10(A2)	
P ₀ at Q _{max} , kPa	165	235
Version	TT	
Application	For drive wheels of tractors such as Kirovets K-701, Kirovets K-700A, Kirovets K-744P1, combine harvesters 3S-10K	

Tires for agricultural and special machinery

NORTEC™

NorTec H-23



Tire size	28LR26	
Standard name	TS 38.304-219	
Pattern type	Ground grip	
Tread pattern height in the middle, mm	55	
Ply rating	-	
Tire weight, not more than, kg	222,9	
Load-bearing capacity index	157	166
Recommended rim	DW25A	
Outside diameter, mm	1607±24	
Tire section width, mm, not more than	719	
Static radius, mm	719±18	
Q, kgf	4125/6185	5300/7950
V, km/h (index)	40(A8)/10(A2)	
P ₀ at Q _{max} , kPa	160	240
Version	TL	
Application	Designed for drive wheels of combine harvesters KZR-10, KZS-10, UES-2-250A, Don-091 and other agricultural machines	

Tires for agricultural and special machinery

NORTEC™

NorTec TA-04/Φ-37



For agricultural and
special machinery

Tire size	23.1R26			
Standard name	TS 38.304-209			
Pattern type	Ground grip			
Tread pattern height in the middle, mm	50			
Ply rating	10	12	14	16
Tire weight, not more than, kg	188,1		206,0	209,4
Load-bearing capacity index	148	153	166	168
Recommended rim	DW20			
Outside diameter, mm	1605±24			
Tire section width, mm, not more than	587			
Static radius, mm	715±18			
Q, kgf	3150/4725	3650/5475	5300/7950	5600/7840
V, km/h (index)	40(A8)/10(A2)			30(A6)/10(A2)
P ₀ at Q _{max} , kPa	115	155	315	275
Version	TT			
Application	Designed for tractors and agricultural machines			

Tires for agricultural and special machinery

NORTEC™

NorTec H-04



Tire size	231-26
Standard name	TS 38.304-141
Pattern type	Ground grip
Tread pattern height in the middle, mm	50
Ply rating	12
Tire weight, not more than, kg	196,2
Load-bearing capacity index	153
Recommended rim	DW20
Outside diameter, mm	1621±24
Tire section width, mm, not more than	605
Static radius, mm	735±18
Q, kgf	3610/5055
V, km/h (index)	30(A6)/10(A2)
P_{0r} at Q_{max} , kPa	165
Version	TT
Application	Rear drive wheels of K-700 tractors and Don-680 combine harvesters

Tires for agricultural and special machinery

NORTEC™

NorTec FL-26



For agricultural and
special machinery

Tire size	1200/50-25 (71x43-25)	
Standard name	TS 38.304-227	
Pattern type	Ground grip	
Tread pattern height in the middle, mm	52	
Ply rating	6	10
Tire weight, not more than, kg	357,9	
Load-bearing capacity index	157	164/171
Recommended rim	DW36A	
Outside diameter, mm	1765±26	
Tire section width, mm, not more than	1170	
Static radius, mm	790±20	
Q, kgf	4125/6185	5000/6150/7500
V, km/h (index)	40(A8)/10(A2)	40(A8)/20(A4)10(A2)
P ₀ at Q _{max} , kPa	140	175
Version	TL	
Application	For tractors such as Kirovets, T-150 and other agricultural machinery of domestic and foreign manufacture, operated in off-road conditions and on soft soils	

Tires for agricultural and special machinery

NORTEC™

NorTec FL-29



Tire size	1050/50R25 (66x43-25)	
Standard name	TS 38.304-230	
Pattern type	Ground grip	
Tread pattern height in the middle, mm	37	
Ply rating	-	
Tire weight, not more than, kg	251,7	
Load-bearing capacity index	168	172
Recommended rim	DW36A	
Outside diameter, mm	1650±25	
Tire section width, mm, not more than	1052	
Static radius, mm	730±18	
Q, kgf	5650/8475	6300
V, km/h (index)	40(A8)/10(A2)	20(A4)
P_{0r} at Q_{max} , kPa	205	255
Version	TL	
Application	For tractors such as Kirovets, T-150 and other agricultural machinery of domestic and foreign manufacture, operated in off-road conditions and on soft soils	

Tires for agricultural and special machinery

NORTEC™

NorTec AC-200



For agricultural and
special machinery

Tire size	420/70R24
Standard name	TS 38.304-130
Pattern type	Ground grip
Tread pattern height in the middle, mm	45
Ply rating	-
Tire weight, not more than, kg	84,5
Load-bearing capacity index	130/127
Recommended/additional rim	W13/W12, DW 12, DW13, W14L, DW14L
Outside diameter, mm	1245±19
Tire section width, mm, not more than	418
Static radius, mm	569±14
Q, kgf	1900/1750/2850
V, km/h (index)	40(A8)/50(B)/10(A2)
P_{0r} at Q_{max} , kPa	155
Version	TL
Application	Front wheels of MTZ and New Holland tractors, drive wheels for agricultural machines and mechanisms

Tires for agricultural and special machinery

NORTEC™

NorTec AC-202



Tire size	380/70R24
Standard name	TS 38.304-129
Pattern type	Ground grip
Tread pattern height in the middle, mm	40
Ply rating	-
Tire weight, not more than, kg	67,6
Load-bearing capacity index	125
Recommended/additional rim	W13, DW13/W11, DW11, W13L, DW13L, W12
Outside diameter, mm	1190±18
Tire section width, mm, not more than	380
Static radius, mm	540±14
Q, kgf	1650/2475
V, km/h (index)	40(A8)/10(A2)
P ₀ at Q _{max} , kPa	155
Version	TT
Application	John Deere 6100 tractors and drive wheels of other tractors, self-propelled chassis and agricultural machines in the field

Tires for agricultural and special machinery

NORTEC™

NorTec AC-203



For agricultural and
special machinery

Tire size	360/70R24
Standard name	TS 38.304-128
Pattern type	Ground grip
Tread pattern height in the middle, mm	38
Ply rating	-
Tire weight, not more than, kg	64,7
Load-bearing capacity index	122
Recommended/additional rim	W11/W10, W12
Outside diameter, mm	1154±17
Tire section width, mm, not more than	357
Static radius, mm	528±13
Q, kgf	1500/2250
V, km/h (index)	40(A8)/10(A2)
P ₀ at Q _{max} , kPa	155
Version	TT
Application	Drive wheels of MTZ-922, -1021, -1025, -820, -892 tractors, self-propelled chassis and other domestic and foreign agricultural machinery

Tires for agricultural and special machinery

NORTEC™

NorTec TA-05



Tire size	21.3/70R24	
Standard name	TS 38.304-159	
Pattern type	Ground grip	
Tread pattern height in the middle, mm	38	
Ply rating	10	12
Tire weight, not more than, kg	133,5	137,9
Load-bearing capacity index	140	155
Recommended rim	DW18	
Outside diameter, mm	1400±21	
Tire section width, mm, not more than	540	
Static radius, mm	640±16	
Q, kgf	2500/3500	3875/5425
V, km/h (index)	30(A6)/10(A2)	
P ₀ at Q _{max} , kPa	155	235
Version	TT	
Application	For drive wheels of agricultural tractors	

Tires for agricultural and special machinery

NORTEC™

NorTec H-05/ИЯВ-79



For agricultural and
special machinery

Tire size	213/70-24	213-24
Standard name	TS 38.304-206 NorTec H-05	TS 38.104-155 ИЯВ-79
Pattern type	Ground grip	
Tread pattern height in the middle, mm	32	
Ply rating	10	
Tire weight, not more than, kg	126,5	
Load-bearing capacity index	140	
Recommended rim	DW18	
Outside diameter, mm	1400±21	
Tire section width, mm, not more than	540	
Static radius, mm	640±16	
Q, kgf	2500/3500	
V, km/h (index)	30(A6)/10(A2)	
P ₀ at Q _{max} , kPa	155	
Version	TT	
Application	For operation on tractors and self-propelled combine harvesters for work in agricultural production	

Tires for agricultural and special machinery

NORTEC™

NorTec H-05



Tire size	18.4-24		
Standard name	TS 38.304-147		
Pattern type	Ground grip		
Tread pattern height in the middle, mm	39		
Ply rating	8	10	12
Tire weight, not more than, kg	106,5	115,0	119,1
Load-bearing capacity index	136	150	158
Recommended rim	DW16		
Outside diameter, mm	1400±21		
Tire section width, mm, not more than	467		
Static radius, mm	623±16		
Q, kgf	2240/3135	3350/4690	4250/5950
V, km/h (index)	30(A6)/10(A2)		
P ₀ at Q _{max} , kPa	135	225	295
Version	TT		
Application	For rear driven wheels of combine harvesters of the Don group and other agricultural machinery		

Tires for agricultural and special machinery

NORTEC™

NorTec AC-201



For agricultural and
special machinery

Tire size	14.9R24
Standard name	TS 38.304-131
Pattern type	Ground grip
Tread pattern height in the middle, mm	45
Ply rating	-
Tire weight, not more than, kg	77,9
Load-bearing capacity index	126/123
Recommended/additional rim	W13/W12, DW12, DW13
Outside diameter, mm	1245±19
Tire section width, mm, not more than	378
Static radius, mm	575±14
Q, kgf	1700/1550/2550
V, km/h (index)	40(A8)/50(B)/10(A2)
P ₀ at Q _{max} , kPa	155
Version	TT
Application	Drive wheels of tractors such as Foton FT500A, FT504A, Belarus 1221, driven wheels of tractors such as Valtra Valmet T6, Belarus 320/321, and combine harvesters such as Claas, Dominator3K3, Don, Polesie, Rostselmash

Tires for agricultural and special machinery

NORTEC™

NorTec IM-36



Tire size	600/50R22,5
Standard name	TS 38.304-262
Pattern type	Ground grip
Tread pattern height in the middle, mm	25
Ply rating	-
Tire weight, not more than, kg	96,3
Load-bearing capacity index	159/170
Recommended rim	AG20.00
Outside diameter, mm	1172±18
Tire section width, mm, not more than	611
Static radius, mm	521±13
Q, kgf	4375/6000/9000
V, km/h (index)	65(D)/40(A8)/10(A2)
$P_{0'}$ at Q_{max} , kPa	390
Version	TL
Application	For drive wheels of agricultural machinery (trailers, trailed tanks, fertilizer spreaders)

Tires for agricultural and special machinery

NORTEC™

NorTec IM-35



For agricultural and
special machinery

Tire size	560/60R22,5
Standard name	TS 38.304-263
Pattern type	Ground grip
Tread pattern height in the middle, mm	20
Ply rating	-
Tire weight, not more than, kg	97,7
Load-bearing capacity index	161
Recommended/additional rim	AG 16,00/16.00, 17.00, AG20.00
Outside diameter, mm	1248±19
Tire section width, mm, not more than	546
Static radius, mm	563±14
Q, kgf	4625/6935
V, km/h (index)	65(D)/10(A2)
P_{0r} at Q_{max} , kPa	390
Version	TL
Application	For drive wheels of agricultural machinery (trailers, trailer tanks, fertilizer spreaders, grain combine harvesters, hoppers for seeders of domestic and foreign companies)

Tires for agricultural and special machinery

NORTEC™

NorTec IM-36



Tire size	500/60R22,5
Standard name	TS 38.304-233
Pattern type	Ground grip
Tread pattern height in the middle, mm	25
Ply rating	-
Tire weight, not more than, kg	81,7
Load-bearing capacity index	155
Recommended/additional rim	AG 16.00/16.00, 17.00, AG20.00
Outside diameter, mm	1172±18
Tire section width, mm, not more than	503
Static radius, mm	521±13
Q, kgf	3875/5810
V, km/h (index)	65(D)/10(A2)
P_{0r} at Q_{max} , kPa	390
Version	TL
Application	For drive wheels of agricultural machinery (grain combine harvesters, seeders, plows, etc.)

Tires for agricultural and special machinery

NORTEC™

Altaishina 45/ NorTec IM-45



For agricultural and
special machinery

Tire size	900-20
Standard name	TS 38.304-113
Pattern type	All seasons
Tread pattern height in the middle, mm	16
Ply rating	6
Tire weight, not more than, kg	29,5
Load-bearing capacity index	111
Recommended/additional rim	W7/5,50F
Outside diameter, mm	930±14
Tire section width, mm, not more than	234
Static radius, mm	430±11
Q, kgf	1110/1855
V, km/h (index)	40(A8)/10(A2)
P ₀ , at Q _{r max} , kPa	235
Version	TT
Application	Guide wheels of tractors of 1,4 t category – MTZ-80, MTZ-82, YuMZ-6L, load-bearing wheels of tractor trailers and other agricultural machines

Tires for agricultural and special machinery

NORTEC™

Forward AC B-105A



Tire size	8.3-20		
Standard name	TS 38.304-135		
Pattern type	Ground grip		
Tread pattern height in the middle, mm	28		
Ply rating	2	4	8
Tire weight, not more than, kg	31,2	31,2	31,5
Load-bearing capacity index	71	90	102
Recommended rim	W7		
Outside diameter, mm	945±14		
Tire section width, mm, not more than	211		
Static radius, mm	446±11		
Q, kgf	345/395	600/900	850/1190
V, km/h (index)	30(A6)/10(A2)		
P ₀ at Q _{max} , kPa	195	235	245
Version	TT		
Application	T-40A (small drive wheels) and MTZ (front wheels)		

Tires for agricultural and special machinery

NORTEC™

Forward AC B-103/ Altaishina B-103



For agricultural and
special machinery

Tire size	750-20
Standard name	GOST 7463
Pattern type	All seasons
Tread pattern height in the middle, mm	15
Ply rating	8
Tire weight, not more than, kg	24,4
Load-bearing capacity index	109
Recommended/additional rim	5,50F/5,00F
Outside diameter, mm	910±14
Tire section width, mm, not more than	205
Static radius, mm	427±11
Q, kgf	1030/1545
V, km/h (index)	30(A6)/10(A2)
P_{0r} at Q_{max} , kPa	370
Version	TT
Application	For guide wheels of MTZ-50, -80 tractors and agricultural machines

Tires for agricultural and special machinery

NORTEC™

NorTec TA-03



Tire size	16.0/70-20 IMP		
Standard name	TS 38.304-156		
Pattern type	Ground grip		
Tread pattern height in the middle, mm	30		
Ply rating	8	10	12
Tire weight, not more than, kg	65,7		
Load-bearing capacity index	127	150	153
Recommended/additional rim	DW13/DW12, W12		
Outside diameter, mm	1075±16		
Tire section width, mm, not more than	405		
Static radius, mm	490±12		
Q, kgf	1750/2255	3355/4325	3670/4730
V, km/h (index)	30(A6)/10(A2)		
P ₀ at Q _{r max} , kPa	165	295	345
Version	TT		
Application	For drive wheels of combine harvesters, tractors and other domestic and foreign agricultural machines (tractors: KHTZ, LTZ, Airman, Belarus, Case IH Farmall, Case Maxxum, John Deere)		

Tires for agricultural and special machinery

NORTEC™

NorTec TA-02



For agricultural and
special machinery

Tire size	13.6-20
Standard name	TS 38.304-144
Pattern type	Ground grip
Tread pattern height in the middle, mm	25
Ply rating	8
Tire weight, not more than, kg	54,5
Load-bearing capacity index	120
Recommended/additional rim	W12/DW12, DW13, W13
Outside diameter, mm	1060±16
Tire section width, mm, not more than	345
Static radius, mm	480±12
Q, kgf	1400/1820
V, km/h (index)	40(A8)/10(A2)
P_{0r} at Q_{max} , kPa	155
Version	TT
Application	For drive wheels of Belarus universal tractors

Tires for agricultural and special machinery

NORTEC™

NorTec F-35/ Altaishina Φ -35



Tire size	11.2-20		
Standard name	TS 38.304-251	GOST 7463	
Pattern type	Ground grip		
Tread pattern height in the middle, mm	35		
Ply rating	4	6	8
Tire weight, not more than, kg	40,6		42,3
Load-bearing capacity index	71	90	114
Recommended/additional rim	W10/W9, W7		
Outside diameter, mm	985±15		
Tire section width, mm, not more than	284		
Static radius, mm	460±12		
Q, kgf	345/485	600/840	1180/1650
V, km/h (index)	30(A6)/10(A2)		
P ₀ at Q _{max} , kPa	210		
Version	TT		
Application	MTZ-82, MTZ-52 (small drive wheels)		

Tires for agricultural and special machinery

NORTEC™

Altaishina KΦ-97



For agricultural and
special machinery

Tire size	16.5/70-18	
Standard name	TS 38.304-089	
Pattern type	All seasons	
Tread pattern height in the middle, mm	13	
Ply rating	10	14
Tire weight, not more than, kg	67,5	76,6
Load-bearing capacity index	149	153
Recommended rim	330-462	
Outside diameter, mm	1065±16	
Tire section width, mm, not more than	430	
Static radius, mm	490±12	
Q, kgf	3250/4875	3650/5475
V, km/h (index)	30(A6)/10(A2)	
P ₀ , at Q _{r max} , kPa	370	410
Version	TT	
Application	Load-bearing wheels of tractor trailers 1PTS-9, 3PTS-12 of MVU-8B machines, with a carrying capacity of 9-12 tons	

Tires for agricultural and special machinery

NORTEC™

Altaishina KΦ-105A/ NorTec KΦ-105A



Tire size	15.5/65-18
Standard name	TS 38.304-110
Pattern type	All seasons
Tread pattern height in the middle, mm	14
Ply rating	10
Tire weight, not more than, kg	55,4/48,8
Load-bearing capacity index	137
Recommended rim	330-462
Outside diameter, mm	992±15
Tire section width, mm, not more than	395
Static radius, mm	450±11
Q, kgf	2300/3450
V, km/h (index)	30(A6)/10(A2)
P_{0r} at Q_{max} , kPa	350
Version	TT/TL
Application	Bearing wheels of 2PTS-6 tractor trailers intended for work in agricultural production and SK-4 combine harvesters

Tires for agricultural and special machinery

NORTEC™

NorTec IM-21



For agricultural and
special machinery

Tire size	12.5/80-18	
Standard name	TS 38.304-214	
Pattern type	All seasons	
Tread pattern height in the middle, mm	11	
Ply rating	14	16
Tire weight, not more than, kg	376	
Load-bearing capacity index	145	147
Recommended/additional rim	11x18/9x18	
Outside diameter, mm	965±15	
Tire section width, mm, not more than	308	
Static radius, mm	444±11	
Q, kgf	2900/4060	3075/4305
V, km/h (index)	40(A8)/10(A2)	
P ₀ at Q _{max} , kPa	420	490
Version	TL	
Application	For installation on free-rolling axles of various agricultural implements of auxiliary machinery: trailers, cultivators, stackers, etc.	

Tires for agricultural and special machinery

NORTEC™

NorTec IM-06



Tire size	13.0/75-16	
Standard name	TS 38.304-175	
Pattern type	All seasons	
Tread pattern height in the middle, mm	12	
Ply rating	8	14
Tire weight, not more than, kg	33,7	35,5
Load-bearing capacity index	130	141
Recommended/additional rim	W11/W8, 8.00V	
Outside diameter, mm	895±13	
Tire section width, mm, not more than	336	
Static radius, mm	402±10	
Q, kgf	1900/2660	2575/3605
V, km/h (index)	30(A6)/10(A2)	
P ₀ at Q _{max} , kPa	235	370
Version	TT	
Application	For bearing wheels of combine harvesters, harvesters, trailers	

Tires for agricultural and special machinery

NORTEC™

NorTec TS-07



For agricultural and
special machinery

Tire size	12.4L-16
Standard name	TS 38.304-174
Pattern type	Ground grip
Tread pattern height in the middle, mm	25
Ply rating	8
Tire weight, not more than, kg	40,0
Load-bearing capacity index	111
Recommended/additional rim	W11/W8, W10
Outside diameter, mm	930±14
Tire section width, mm, not more than	327
Static radius, mm	425±11
Q, kgf	1085/1520
V, km/h (index)	30(A6)/10(A2)
P_{0r} at Q_{max} , kPa	215
Version	TT
Application	For drive wheels of small tractors, walk-behind tractors, universal loaders

Tires for agricultural and special machinery

NORTEC™

Forward AC Л-163/ Altaishina Л-163



Tire size	12-16
Standard name	TS 38.304-096
Pattern type	All seasons
Tread pattern height in the middle, mm	15
Ply rating	8
Tire weight, not more than, kg	35,0
Load-bearing capacity index	126
Recommended/additional rim	W8/8,00V (sectional)
Outside diameter, mm	923±14
Tire section width, mm, not more than	325
Static radius, mm	411±10
Q, kgf	1700/2550
V, km/h (index)	30(A6)/10(A2)
P_{0r} at Q_{max} , kPa	245
Version	TT
Application	For operation on SKD-6, SKD-5 combine harvesters and other agricultural machines

Tires for agricultural and special machinery

NORTEC™

Forward AC-8



For agricultural and
special machinery

Tire size	9.00-16
Standard name	GOST 7463
Pattern type	All seasons
Tread pattern height in the middle, mm	10
Ply rating	10
Tire weight, not more than, kg	25,6
Load-bearing capacity index	125
Recommended rim	6,00F
Outside diameter, mm	865±13
Tire section width, mm, not more than	247
Static radius, mm	380±10
Q, kgf	1650/2475
V, km/h (index)	30(A6)/10(A2)
P_{0r} at Q_{max} , kPa	350
Version	TT
Application	Bearing wheels of tractor trailers

Tires for agricultural and special machinery

NORTEC™

NorTec IM-14



Tire size	9.00-16	
Standard name	TS -38.304-208	
Pattern type	All seasons	
Tread pattern height in the middle, mm	10	
Ply rating	10	14
Tire weight, not more than, kg	29,0	31,5
Load-bearing capacity index	125	136
Recommended rim	152(6.00) sectional	
Outside diameter, mm	896±13	
Tire section width, mm, not more than	255	
Static radius, mm	414±10	
Q, kgf	1650/2475	2240/3360
V, km/h (index)	30(A6)/10(A2)	
P ₀ at Q _{max} , kPa	350	575
Version	TT	
Application	Tractor trailers 2PTS-4, PSE-12.5, etc. for agricultural work (for bearing wheels)	

Tires for agricultural and special machinery

NORTEC™

NorTec IM-14-1



For agricultural and
special machinery

Tire size	9.00-16
Standard name	TS 38.304-208
Pattern type	All seasons
Tread pattern height in the middle, mm	10
Ply rating	10
Tire weight, not more than, kg	277
Load-bearing capacity index	125
Recommended rim	152(6,00) sectional
Outside diameter, mm	848±13
Tire section width, mm, not more than	255
Static radius, mm	414±10
Q, kgf	1650/2475
V, km/h (index)	30(A6)/10(A2)
P_{0r} at Q_{max} , kPa	350
Version	TT
Application	For bearing wheels of tractor trailers 2PTS-4, PSE-12.5, etc.

Tires for agricultural and special machinery

NORTEC™

NorTec IM-08



Tire size	600-16
Standard name	TS 38.304-151
Pattern type	All seasons
Tread pattern height in the middle, mm	15
Ply rating	6
Tire weight, not more than, kg	14,5
Load-bearing capacity index	88
Recommended rim	4,50E
Outside diameter, mm	750±11
Tire section width, mm, not more than	175
Static radius, mm	355±9
Q, kgf	560/840
V, km/h (index)	30(A6)/10(A2)
P_{0r} at Q_{max} , kPa	330
Version	TT
Application	For guide and bearing wheels of tractors and agricultural machines

Tires for agricultural and special machinery

NORTEC™

NorTec IM-15



For agricultural and
special machinery

Tire size	650-16
Standard name	GOST 7463
Pattern type	All seasons
Tread pattern height in the middle, mm	14
Ply rating	6
Tire weight, not more than, kg	16,5
Load-bearing capacity index	91
Recommended rim	4,50E
Outside diameter, mm	760±11
Tire section width, mm, not more than	175
Static radius, mm	362±9
Q, kgf	615/920
V, km/h (index)	30(A6)/10(A2)
P_{0r} at Q_{max} , kPa	310
Version	TT
Application	For front guide wheels of tractors of 0.6-0.9 category, agricultural machines CLU-28

Tires for agricultural and special machinery

NORTEC™

NorTec TS-01



Tire size	7,50L-16 (190/80-16)	
Standard name	TS 38.304-192	
Pattern type	Ground grip	
Tread pattern height in the middle, mm	15	
Ply rating	2	4
Tire weight, not more than, kg	15,0	
Load-bearing capacity index	60	86
Recommended/additional rim	5,5 F/6J	
Outside diameter, mm	705±11	
Tire section width, mm, not more than	205	
Static radius, mm	340±9	
Q, kgf	250/350	530/740
V, km/h (index)	30(A6)/10(A2)	
P_{0r} at Q_{max} , kPa	78	235
Version	TT	
Application	For drive wheels of small tractors and other agricultural machines (swather: Westward; tractor: Belarus)	

Tires for agricultural and special machinery

NORTEC™

NorTec IM-22



For agricultural and
special machinery

Tire size	400/60-15.5
Standard name	TS 38.304-212
Pattern type	All seasons
Tread pattern height in the middle, mm	13
Ply rating	-
Tire weight, not more than, kg	45,9
Load-bearing capacity index	152
Recommended rim	13,00-15,5
Outside diameter, mm	875±13
Tire section width, mm, not more than	405
Static radius, mm	380±10
Q, kgf	3550/4970
V, km/h (index)	40(A8)/10(A2)
$P_{0'}$ at Q_{max} , kPa	590
Version	TL
Application	For installation on agricultural trailers for various purposes. Disc subsoil cultivator: Kuhn Discover XS 32 and other modifications, tipper semi-trailer with extension boards LPT-5, 5-1P, feed multifunctional semi-trailer AKM-9 OEM, cultivator front axle. Cultivators: Metal-fach, Carrier, Kuhn, Horsch. Operating conditions – all types of roads, as well as in off-road conditions and on soft soils.

Tires for agricultural and special machinery

NORTEC™

NorTec IM-21



Tire size	11.5/80-15.3			
Standard name	TS 38.304-134			
Pattern type	All seasons			
Tread pattern height in the middle, mm	10			
Ply rating	10	12	14	16
Tire weight, not more than, kg	26,5		29,5	
Load-bearing capacity index	130	134	139	141
Recommended rim	9,00-15,3			
Outside diameter, mm	845±13			
Tire section width, mm, not more than	290			
Static radius, mm	386±10			
Q, kgf	1900/2660	2120/2970	2430/3400	2575/3605
V, km/h (index)	40(A8)/10(A2)			
$P_{o'}$ at Q_{max} , kPa	345	390	470	530
Version	TT/TL			
Application	For various agricultural implements and auxiliary machines: trailers, cultivators			

Tires for agricultural and special machinery

NORTEC™

NorTec IM-17/ Altaishina 2



For agricultural and
special machinery

Tire size	10.0/75-15.3		
Standard name	TS 38.304-118		
Pattern type	All seasons		
Tread pattern height in the middle, mm	10		
Ply rating	8	10	12
Tire weight, not more than, kg	21,5	21,8	22,1
Load-bearing capacity index	118	123	126
Recommended rim	9.00-15,3		
Outside diameter, mm	770±12		
Tire section width, mm, not more than	270		
Static radius, mm	350±9		
Q, kgf	1330/1995	1525/2285	1695/2540
V, km/h (index)	30(A6)/10(A2)		
P ₀ or Q _{max} , kPa	310	390	470
Version	TT		
Application	Bearing wheels of trailed agricultural machines		

Tires for agricultural and special machinery

NORTEC™

NorTec IM-24



Tire size	10.0/75-15.3			
Standard name	TS 38.304-217			
Pattern type	All seasons			
Tread pattern height in the middle, mm	10			
Ply rating	10	12	14	18
Tire weight, not more than, kg	21,5/24,0	23,6/26,1	23,6/26,1	28,5/26,0
Load-bearing capacity index	122	125	130	143
Recommended rim	9,00-15,3			
Outside diameter, mm	770±12			
Tire section width, mm, not more than	270			
Static radius, mm	350±9			
Q, kgf	1500/2100	1650/2310	1900/2660	2725/3815
V, km/h (index)	40(A8)/10(A2)			
P_{0r} at Q_{max} , kPa	390	470	540	695
Version	TT/TL			
Application	Designed for installation on free-rolling axles of various agricultural implements and auxiliary machinery: trailers, cultivators, stackers, etc.			

Tires for agricultural and special machinery

NORTEC™

NorTec TS-16/ Altaishina 30



For agricultural and
special machinery

Tire size	10.0/75-15.3
Standard name	TS 38.304-121
Pattern type	Ground grip
Tread pattern height in the middle, mm	30
Ply rating	10
Tire weight, not more than, kg	30,0
Load-bearing capacity index	123
Recommended rim	9,00-15,3
Outside diameter, mm	780±12
Tire section width, mm, not more than	264
Static radius, mm	360±9
Q, kgf	1550/2170
V, km/h (index)	30(A6)/10(A2)
P_{0r} at Q_{max} , kPa	390
Version	TT
Application	For drive wheels of small agricultural machinery, including mini tractors and walk-behind tractors

Tires for agricultural and special machinery

NORTEC™

NorTec IM-17



Tire size	11L-15		
Standard name	TS 38.304-268		
Pattern type	All seasons		
Tread pattern height in the middle, mm	7		
Ply rating	8	12	20
Tire weight, not more than, kg	21,8	25,1	25,1
Load-bearing capacity index	113	121	131
Recommended/additional rim	8LB/W8L		
Outside diameter, mm	790±12		
Tire section width, mm, not more than	270		
Static radius, mm	330±8		
Q, kgf	1150/2070	1450/2610	1965/3530
V, km/h (index)	65(D)/10(A2)		
P ₀ at Q _{max} , kPa	245	355	520
Version	TL		
Application	For bearing wheels of trailed agricultural machines and seeders		

Tires for agricultural and special machinery

NORTEC™

NorTec IM-18/ Altaishina 372



For agricultural and
special machinery

Tire size	8.25-15
Standard name	TS 38.304-119
Pattern type	Road
Tread pattern height in the middle, mm	12
Ply rating	8
Tire weight, not more than, kg	23,0
Load-bearing capacity index	119
Recommended/additional rim	6/5,00P
Outside diameter, mm	807±12
Tire section width, mm, not more than	229
Static radius, mm	368±9
Q, kgf	1360/2040
V, km/h (index)	30(A6)/10(A2)
P_{or} at Q_{max} , kPa	345
Version	TT
Application	Bearing wheels of trailed agricultural machines and mechanisms

Tires for agricultural and special machinery

NORTEC™

Altaishina 421



Tire size	6L-12
Standard name	TS 38.304-112
Pattern type	Ground grip
Tread pattern height in the middle, mm	20
Ply rating	2
Tire weight, not more than, kg	8,3
Load-bearing capacity index	44
Recommended rim	5J
Outside diameter, mm	570±9
Tire section width, mm, not more than	155
Static radius, mm	267±7
Q, kgf	160/225
V, km/h (index)	30(A6)/10(A2)
P_{0r} at Q_{max} , kPa	100
Version	TT
Application	Walk-behind tractors MTZ-05 and Agros, tractors of 0.1t category

Tires for agricultural and special machinery

NORTEC™

Altaishina B-19A



For agricultural and
special machinery

Tire size	5.00-10
Standard name	TS 38.304-207
Pattern type	All seasons
Tread pattern height in the middle, mm	6,5
Ply rating	6
Tire weight, not more than, kg	5,9
Load-bearing capacity index	69
Recommended rim	4,00E
Outside diameter, mm	507±7
Tire section width, mm, not more than	140
Static radius, mm	241±6
Q, kgf	325/420
V, km/h (index)	30(A6)/10(A2)
P_{0r} at Q_{max} , kPa	305
Version	TT
Application	Universal small-sized tractors, mounted agricultural implements

Tires for agricultural and special machinery

NORTEC™

NorTec IM-10



Tire size	4.00-10
Standard name	TS 38.304-202
Pattern type	All seasons
Tread pattern height in the middle, mm	8
Ply rating	4
Tire weight, not more than, kg	4,2
Load-bearing capacity index	69
Recommended rim	2,35-10
Outside diameter, mm	465±5
Tire section width, mm, not more than	109
Static radius, mm	216±5
Q, kgf	325/455
V, km/h (index)	40(A8)/10(A2)
P_{0r} at Q_{max} , kPa	340
Version	TT
Application	For bearing wheels of TPM trailer bogies, trailers and walk-behind tractors

Tires for industrial machinery

**We are together with you
under any conditions**

There is nothing eternal – there is something reliable.

The key to success is not to stop on what has been achieved. The tires of the NORTEC plant successfully pass thousands of kilometers of roads and off-road. A new direction of the plant is the development of harsh road conditions.

Creating tires for industrial vehicles is not only a big and time-consuming job, but no less responsibility. Responsibility for ensuring that the final product proves to be reliable, efficient and safe.

For industrial
machinery



Tires for industrial machinery

NORTEC[®]

NorTec TC-107



Tire size	18.4-26
Standard name	TS 38.304-190
Pattern type	Ground grip
Tread pattern height in the middle, mm	29
Ply rating	12
Tire weight, not more than, kg	99,5
Load-bearing capacity index	156
Recommended/additional rim	W16L/W15L
Outside diameter, mm	1425±21
Tire section width, mm, not more than	467
Static radius, mm	665±10
Q, kgf	4000/6000
V, km/h (index)	40(A8)/10(A2)
P_{D_0} at Q_{rmax} , kgf/cm ²	2,5
Version	TL
Application	For wheeled excavators, construction and handling machines, front loaders, motor graders, backhoe loaders

Tires for industrial machinery

NORTEC™

NorTec TC-107-1



For industrial
machinery

Tire size	16,9-28	
Standard name	TS 38.304-165	
Pattern type	Ground grip	
Tread pattern height in the middle, mm	28	
Ply rating	12	16
Tire weight, not more than, kg	93,5	99,0
Load-bearing capacity index	152	156
Recommended/additional rim	W15L/W14L	
Outside diameter, mm	1410±20	
Tire section width, mm, not more than	429	
Static radius, mm	660±10	
Q, kgf	3550/4440	4000/5000
V, km/h (index)	40(A8)/10(A2)	
P ₀ , at Q _{r,max} , kgf/cm ²	2,6	3,2
Version	TL	
Application	For backhoe loaders (CASE 580, CASE 590, Caterpillar 444E, Hidromek HMK 102 B, Hidromek HMK 102 S, JCB 3CX Sitemaster, JCB 4CX, JCB 4CX Super, Komatsu WB 93 R, New Holland B115, LB115, TEREX TLB890, Volvo BL61B)	

Tires for industrial machinery

NORTEC[®]

NorTec ER-125



Tire size	15.5-25			
Standard name	TY 38.304 - 255			
Pattern type	Ground grip			
Tread pattern height in the middle, mm	24			
Ply rating	8	10	12	14
Tire weight, not more than, kg	83,0	83,0	98,6	98,6
Load-bearing capacity index	158	163	168	171
Recommended rim	12.00-25/1,3			
Outside diameter, mm	1277±19			
Tire section width, mm, not more than	394			
Static radius, mm	564±14			
Q _{max} , kgf	4375	4875	5600	6150
V _{max} , km/h (index)	10(A2)			
P _O , at Q _{max} , kgf/cm ²	2,75	3,25	4,0	4,75
Version	TL			
Application	For front loaders and road construction machines			

Tires for industrial machinery

NORTEC™

NorTec TC-19



For industrial
machinery

Tire size	29.5/75R25
Standard name	TS 38.304-218
Pattern type	Ground grip
Tread pattern height in the middle, mm	40
Ply rating	-
Tire weight, not more than, kg	304,5
Load-bearing capacity index	190
Recommended/additional rim	24,00-25/2,5 /25,00-25/3,0
Outside diameter, mm	1730±26
Tire section width, mm, not more than	750
Static radius, mm	765±19
Q, kgf	10600/15900
V, km/h (index)	40(A8)/10(A2)
P ₀ , at Q _{rmax} , kgf/cm ²	3,0
Version	TT
Application	For construction and road handling machines

Tires for industrial machinery

NORTEC[®]

NorTec ДФ-16А



Tire size	28.1-25	
Standard name	TS 38.304-229	
Pattern type	Ground grip	
Tread pattern height in the middle, mm	47	
Ply rating	18	22
Tire weight, not more than, kg	327,5	
Load-bearing capacity index	176	185
Recommended rim	24.00 (sectional)	
Outside diameter, mm	1730±26	
Tire section width, mm, not more than	720	710
Static radius, mm	778±19	768±19
Q, kgf	7100/10650	9250/13875
V, km/h (index)	40(A8)/10(A2)	50(B)/10(A2)
P ₀ , at Q _{rmax} , kgf/cm ²	2,6	3,6
Version	TT	
Application	Designed for tractors, machines when performing industrial works (construction, forestry)	

Tires for industrial machinery

NORTEC™

NorTec ER-122



For industrial
machinery

Tire size	26.5-25	
Standard name	TS 38.304-249	
Pattern type	Quarry	
Tread pattern height in the middle, mm	45	
Ply rating	28	32
Tire weight, not more than, kg	393,3	391,5
Load-bearing capacity index	188/203	192/206
Recommended rim	22.00/3.0-25	
Outside diameter, mm	1750±26	
Tire section width, mm, not more than	673	
Static radius, mm	791±20	
Q, kgf	10000/15500	11200/17000
V, km/h (index)	50(B)/10(A2)	
P ₀ , at Q _{r,max} , kgf/cm ²	4,75	5,5
Version	TL	
Application	For operation on construction and road machines, handling and ore mining machines, motor graders operating both on paved roads and in quarries and mines	

Tires for industrial machinery

NORTEC[®]

NorTec ER-205



For industrial
machinery

Tire size	26.5-25	
Standard name	TS 38.304-249	
Pattern type	Quarry	
Tread pattern height in the middle, mm	45	
Ply rating	28	32
Tire weight, not more than, kg	393,3	391,5
Load-bearing capacity index	188/203	192/206
Recommended rim	22.00/3.0-25	
Outside diameter, mm	1750±26	
Tire section width, mm, not more than	673	
Static radius, mm	791±20	
Q, kgf	10000/15500	11200/17000
V, km/h (index)	50(B)/10(A2)	
P _O , at Q _{r,max} , kgf/cm ²	4,75	5,5
Version	TL	
Application	For operation on construction and road machines, handling and ore mining machines, motor graders operating both on paved roads and in quarries and mines	

Tires for industrial machinery

NORTEC™

NorTec IND 247



For industrial
machinery

Tire size	23.5-25	
Standard name	TS 38.304-133	
Pattern type	Ground grip	
Tread pattern height in the middle, mm	35	
Ply rating	20	24
Tire weight, not more than, kg	257,9	291,5
Load-bearing capacity index	177	180
Recommended rim	19,5-25/2,5	
Outside diameter, mm	1617±24	
Tire section width, mm, not more than	620	
Static radius, mm	720±11	
Q, kgf	7300/10950	8000/12000
V, km/h (index)	50(B)/10(A2)	
P ₀ , at Q _{r,max} , kgf/cm ²	3,0	3,5
Version	TT	
Application	Construction, road, handling machines	

Tires for industrial machinery

NORTEC™

NorTec ER-106



Tire size	23.5-25
Standard name	TS 38.304-246
Pattern type	Quarry
Tread pattern height in the middle, mm	31,5
Ply rating	20
Tire weight, not more than, kg	257,9
Load-bearing capacity index	177
Recommended rim	19,50-25/2,5
Outside diameter, mm	1615±24
Tire section width, mm, not more than	595
Static radius, mm	720±11
Q, kgf	7300/10950
V, km/h (index)	50(B)/10(A2)
P ₀ , at Q _{rmax} , kgf/cm ²	3,0
Version	TT
Application	For operation on road construction machines, handling and ore mining machines, motor graders and dump trucks operating both on hard (rocky) surfaces and in off-road conditions

Tires for industrial machinery

NORTEC[®]

NorTec ER-205



For industrial
machinery

Tire size	23.5-25	20.5-25			17.5-25		
Standard name	TS 38.304-185	TS 38.304-191			TS 38.304-167		
Pattern type	Quarry						
Tread pattern height in the middle, mm	31,5	33			30		
Ply rating	20	16	20	28	12	16	20
Tire weight, not more than, kg	257,9	198,8/153,8 202/158,2 215,5/174			121,4/113,3 136,5/123 -/118,3		
Load-bearing capacity index	177	167	170	179	153	158	164
Recommended rim	19,5-25/2,5	17,00-25/2,0			14,00-25/1,5		
Outside diameter, mm	1615±24	1492±22			1350±20		
Tire section width, mm, not more than	595	520			445		
Static radius, mm	719±11	677±11			611±10		
Q, kgf	7300/10950	5450/8250 6000/9500 7750/11625			3650/5475 4250/7300 5000/8000		
V, km/h (index)	50(B)/10(A2)	50(B)/10(A2)			50(B)/10(A2)		
P ₀ , at Q _{max} , kgf/cm ²	3,0	2,75/3,25/5,0			2,25/3,0/4,0		
Version	TT	TT/TL			TT/TL		
Application	Construction, road, handling machines, motor graders, dump trucks with a load-bearing capacity of 23 tons, loaders						

Tires for industrial machinery

NORTEC™

NorTec ER-612



For industrial
machinery

Tire size	23.5-25	20.5-25			17.5-25	
Standard name	TS 38.304-243	TS 38.304-242			TS 38.304-241	
Pattern type	Quarry					
Tread pattern height in the middle, mm	31,5	30			30	
Ply rating	20	16	20	28	12	16
Tire weight, not more than, kg	257,9	198,8/153,8 202/158,2 215,5/174			121,4/113,3 136,6/123	
Load-bearing capacity index	177	167	170	179	153	158
Recommended rim	19,5-25/2,5	17,00-25/2,0			14,00-25/1,5	
Outside diameter, mm	1615±24	1492±22			1350±20	
Tire section width, mm, not more than	595	520			445	
Static radius, mm	720±11	677±11			620±10	
Q, kgf	7300/10950	5450/8250 6000/9500 7750/11625			3650/5475 4250/7300	
V, km/h (index)	50(B)/10(A2)					
P ₀ , at Q _{max} , kgf/cm ²	3,0	2,75/3,25/5,0			2,25/3,0	
Version	TT	TT/TL			TT/TL	
Application	Construction, road, handling machines, motor graders, dump trucks with a load-bearing capacity of 23 tons, loaders					

Tires for industrial machinery

NORTEC[®]

NorTec ER-106



For industrial
machinery

Tire size	20.5-25			17.5-25		
Standard name	TS 38.304-161			TS 38.304-167		
Pattern type	Ground grip			Ground grip		
Tread pattern height in the middle, mm	32			27		
Ply rating	16	20	28	12	16	20
Tire weight, not more than, kg	198,8/153,8 202/158,2 215,5/174			121,4/113,3 136,6/123 -/118,3		
Load-bearing capacity index	167	170	179	153	158	164
Recommended rim	17,00-25/2,0			14,00-25/1,5		
Outside diameter, mm	1492±22			1350±20		
Tire section width, mm, not more than	520			445		
Static radius, mm	677±11			611±10		
Q, kgf	5450/8250 6000/9500 7750/11625			3650/5475 4250/7300 5000/8000		
V, km/h (index)	50(B)/10(A2)			50(B)/10(A2)		
P ₀ at Q _{max} , kgf/cm ²	2,75/3,25/5,0			2,25/3,0/4,0		
Version	TT/TL			TT/TL		
Application	Construction, road, handling machines, motor graders, dump trucks with a load-bearing capacity of 23 tons, loaders					

Tires for industrial machinery

NORTEC[®]

NorTec ER-121



Tire size	175-25		
Standard name	TS 38.304-241		
Pattern type	Ground grip		
Tread pattern height in the middle, mm	30		
Ply rating	12	16	20
Tire weight, not more than, kg	121,4/113,3	136,5/109,3	-/118,3
Load-bearing capacity index	153	158	164
Recommended rim	14.00-25/1,5		
Outside diameter, mm	1356±20		
Tire section width, mm, not more than	445		
Static radius, mm	620±10		
Q, kgf	3650/5475	4250/7300	5000/8000
V, km/h (index)	50(B)/10(A2)		
P ₀ , at Q _{max} kgf/cm ²	2,25	3,0	4,0
Version	TT/TL		
Application	For operation on road-building, handling machines, motor graders and dump trucks with a capacity of 23 tons, operated both on hard (rocky) surfaces and in off-road conditions		

Tires for industrial machinery

NORTEC™

NorTec IND 76



For industrial
machinery

Tire size	18.00-25
Standard name	TS 38.304-132
Pattern type	Quarry
Tread pattern height in the middle, mm	32
Ply rating	32
Tire weight, not more than, kg	254,0
Load-bearing capacity index	183
Recommended rim	13,0-25/2,5
Outside diameter, mm	1615±25
Tire section width, mm, not more than	498
Static radius, mm	745±13
Q, kgf	8750/13125
V, km/h (index)	50(B)/10(A2)
P_{D_0} at Q_{max} , kgf/cm ²	6,5
Version	TT
Application	BelAZ-7450, 7541, 79202, 74212. MoAZ-7508, 4055, 7405

Tires for industrial machinery

NORTEC™

NorTec TA-05



Tire size	21,3/70R24
Standard name	TS 38.304-272
Pattern type	Ground grip
Tread pattern height in the middle, mm	38
Ply rating	16
Tire weight, not more than, kg	145,6
Load-bearing capacity index	160
Recommended rim	DW18
Outside diameter, mm	1400±21
Tire section width, mm, not more than	540
Static radius, mm	640±16
Q, kgf	4500/6750
V, km/h (index)	40(A8)/10(A2)
P_O at Q_{max} , kgf/cm ²	3,3
Version	TT
Application	Designed for operation on Amkodor front loaders

Tires for industrial machinery

NORTEC[®]

NorTec H-05



For industrial
machinery

Tire size	21,3-24 (21,3/70-24)
Standard name	TS 38.304-273
Pattern type	Ground grip
Tread pattern height in the middle, mm	32
Ply rating	16
Tire weight, not more than, kg	148,7
Load-bearing capacity index	160
Recommended rim	DW18
Outside diameter, mm	1400±21
Tire section width, mm, not more than	540
Static radius, mm	640±16
Q, kgf	4500/6750
V, km/h (index)	40(A8)/10(A2)
P ₀ , at Q _{max} , kgf/cm ²	2,8
Version	TT
Application	Designed for operation on Amkodor front loaders

Tires for industrial machinery

NORTEC™

NorTec TC-108



Tire size	16.9-24
Standard name	TS 38.304-176
Pattern type	Ground grip
Tread pattern height in the middle, mm	27
Ply rating	12
Tire weight, not more than, kg	80,5
Load-bearing capacity index	149
Recommended/additional rim	W15L/W14L
Outside diameter, mm	1310±20
Tire section width, mm, not more than	429
Static radius, mm	610±10
Q, kgf	3250/4065
V, km/h (index)	40(A8)/10(A2)
P_{D_0} at Q_{rmax} , kgf/cm ²	2,6
Version	TL
Application	For wheeled, industrial excavators, loaders, handling and agricultural machines

Tires for industrial machinery

NORTEC[®]

Forward Industrial 140



For industrial
machinery

Tire size	16.00-24	
Standard name	TS 38.304-109	
Pattern type	Ground grip	
Tread pattern height in the middle, mm	30	
Ply rating	12	24
Tire weight, not more than, kg	120,7	167,5
Load-bearing capacity index	157	171
Recommended/additional rim	11,25 /11,50	
Outside diameter, mm	1475±23	
Tire section width, mm, not more than	432	
Static radius, mm	663±12	
Q, kgf	4125/6185	6150/9225
V, km/h (index)	50(B)/10(A2)	
P ₀ , at Q _{r,max} , kgf/cm ²	2,5	5,0
Version	TT	
Application	For hoisting cranes K-631, K-631M, K-1001, KP-100, KP-63, loaders TO-18 and motor graders DZ-98, D-736, D-395A, D-359V	

Tires for industrial machinery

NORTEC™

NorTec GD-106



For industrial
machinery

Tire size	14.00-24
Standard name	TS 38.304-169
Pattern type	Ground grip
Tread pattern height in the middle, mm	25
Ply rating	16
Tire weight, not more than, kg	84,8
Load-bearing capacity index	153
Recommended/additional rim	8.00TGx24DC/10.00VAx24SD
Outside diameter, mm	1348±20
Tire section width, mm, not more than	362
Static radius, mm	608±9
Q, kgf	3650/5475
V, km/h (index)	40(A8)/10(A2)
P_{D_0} at Q_{max} , kgf/cm ²	3,75
Version	TL
Application	For road construction machinery (Caterpillar asphalt spreaders, Case, Dressta graders)

Tires for industrial machinery

NORTEC™

NorTec TC-106



For industrial
machinery

Tire size	16.0/70-20	
Standard name	TS 38.304-163	
Pattern type	Ground grip	
Tread pattern height in the middle, mm	27	
Ply rating	10	14
Tire weight, not more than, kg	65,6	74,8
Load-bearing capacity index	in 143/out 131	in 150/out 138
Recommended/additional rim	13 SDC/12 SDC, 13-20, 14-20	
Outside diameter, mm	1095±16	
Tire section width, mm, not more than	408	
Static radius, mm	504±8	
Q, kgf	in 2725/4085 out 1950/2925	in 3350/5025 out 2360/3540
V, km/h (index)	40(A8)/10(A2)	
P ₀ , at Q _{r,max} , kgf/cm ²	2,5	3,5
Version	TL	
Application	Pneumatic tires for construction, road, handling and mining machines	

Tires for industrial machinery

NORTEC[®]

NorTec GD-113



For industrial
machinery

Tire size	14.00-20			
Standard name	TS 38.304-200			
Pattern type	Ground grip			
Tread pattern height in the middle, mm	20			
Ply rating	10	16	18	20
Tire weight, not more than, kg	90,0	97,0	105,5	115,0
Load-bearing capacity index	139/145	155	158	159
Recommended/additional rim	8,5B/10,0r	10,0/8,5		
Outside diameter, mm	1220±18			
Tire section width, mm, not more than	360	375		
Static radius, mm	555±9			
Q, kgf	2450/2900/4350	3875/5815	4250/6375	4375/6560
V, km/h (index)	85(G)/50(B)/10(A2)	50(B)/10(A2)		
P_{O_2} at Q_{max} , kgf/cm ²	2,5/3,3	4,25	5,0	5,3
Version	TT			
Application	Road construction machines, motor graders, front loaders, pneumatic wheeled cranes, trailers (semi-trailers) of heavy trucks and other mechanisms			

Tires for industrial machinery

NORTEC[®]

NorTec ER-112



For industrial
machinery

Tire size	1200-20
Standard name	TS 38.304-197
Pattern type	Ground grip
Tread pattern height in the middle, mm	20
Ply rating	20
Tire weight, not more than, kg	68,7
Load-bearing capacity index	151
Recommended rim	8,5-20
Outside diameter, mm	1133±18
Tire section width, mm, not more than	315
Static radius, mm	532±10
Q, kgf	3500/5250
V, km/h (index)	50(B)/10(A2)
P_{D_0} at Q_{rmax} , kgf/cm ²	6,4
Version	TT
Application	Earth-moving machines, including universal single-bucket excavators of EO-3323 type and their modifications

Tires for industrial machinery

NORTEC™

NorTec CT-311



Tire size	1100-20
Standard name	TS 38.304-193
Pattern type	Smooth
Tread pattern height in the middle, mm	-
Ply rating	12
Tire weight, not more than, kg	70,5
Load-bearing capacity index	155
Recommended rim	8,0-20
Outside diameter, mm	1080±16
Tire section width, mm, not more than	304
Static radius, mm	500±8
Q_{max} , kgf	3875
V_{max} , km/h (index)	15 (A3)
P_{D_1} at $Q_{r,max}$, kgf/cm ²	6,0
Version	TT
Application	For road construction machinery (JCB road rollers)

Tires for industrial machinery

NORTEC™

NorTec ER-109



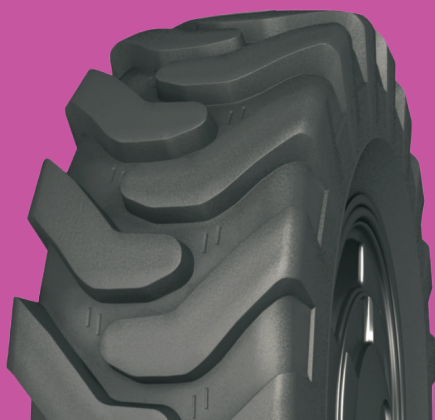
For industrial
machinery

Tire size	10.00-20
Standard name	TS 38.304-146
Pattern type	Ground grip
Tread pattern height in the middle, mm	21
Ply rating	16
Tire weight, not more than, kg	53,1
Load-bearing capacity index	146
Recommended/additional rim	7,5-20/7,0-20, 8,0-20
Outside diameter, mm	1050±16
Tire section width, mm, not more than	275
Static radius, mm	498±8
Q, kgf	C- 2725 O-3000/4500
V, km/h (index)	50(B)/10(A2)
P ₀ at Q _{max} , kgf/cm ²	7,5
Version	TT
Application	For wheeled excavators

Tires for industrial machinery

NORTEC™

NorTec TC-106



For industrial
machinery

Tire size	12.5/80-18	
Standard name	TS 38.304-145	
Pattern type	Ground grip	
Tread pattern height in the middle, mm	25	
Ply rating	12	14
Tire weight, not more than, kg	49,4	50,5
Load-bearing capacity index	driv. 138 / guid. 125	driv. 146 / guid. 134
Recommended/additional rim	11x18/9x18	
Outside diameter, mm	987±15	
Tire section width, mm, not more than	308	
Static radius, mm	465±7	
Q, kgf	driv. 2360/3305/ guid. 1650/2310	driv. 3000/4200/ guid. 2120/2960
V, km/h (index)	40(A8)/10(A2)	
P ₀ , at Q _{rmax} , kgf/cm ²	3,7	4,3
Version	TL	
Application	For construction, road, handling and mining machines (Kirovets, Terex excavator-loader)	

Tires for industrial machinery

NORTEC[®]

NorTec IND 02



For industrial
machinery

Tire size	1000-16.5	1200-16.5
Standard name	TS 38.304-126	TY 38.304-127
Pattern type	Ground grip	
Tread pattern height in the middle, mm	19	
Ply rating	8	10
Tire weight, not more than, kg	26,0	29,3
Load-bearing capacity index	131	140
Recommended rim	8,25-16,5	9,75-16,5
Outside diameter, mm	773±11	831±12
Tire section width, mm, not more than	264	307
Static radius, mm	348±5	388±6
Q_{max} , kgf	1950	2500
V_{max} , km/h (index)	25(A5)	
P_{O_2} at Q_{max} , kgf/cm ²	3,75	4,5
Version	TL	
Application	Construction, road, handling machines (mini-loaders)	

Tires for industrial machinery

NORTEC[®]

NorTec ER-218



Tire size	1000-16.5	12.00-16.5	
Standard name	TS 38.304-213	TS 38.304-211	
Pattern type	All seasons		
Tread pattern height in the middle, mm	20		
Ply rating	10	10	12
Tire weight, not more than, kg	26,0	29,3	
Load-bearing capacity index	135	141	144
Recommended rim	8,75-16,5	9,75-16,5	
Outside diameter, mm	783±12	825±12	
Tire section width, mm, not more than	271	310	
Static radius, mm	351±5	388±5	
Q_{max} , kgf	2170	2540	2900
V_{max} , km/h (index)	25(A5)		
P_{D_0} at Q_{max} , kgf/cm ²	5,3	4,6	5,6
Version	TL		
Application	For construction, road, handling and mining machines		

Tires for industrial machinery

NORTEC[®]

NEW

NorTec ER-228



For industrial
machinery

Tire size	12,00-16,5
Standard name	TS 38.304-270
Pattern type	Ground grip
Tread pattern height in the middle, mm	35
Ply rating	12
Tire weight, not more than, kg	75,4
Load-bearing capacity index	145
Recommended/additional rim	9,75-16,5
Outside diameter, mm	838±13
Tire section width, mm, not more than	307
Static radius, mm	383±5
Q, kgf	2900
V, km/h (index)	25 (A5)
P_{O_1} at Q_{max} , kgf/cm ²	5,5
Version	TL
Application	Mini-loaders and mini-tractors for road construction and loading operations

Tires for industrial machinery

NORTEC™

NorTec ER-117/ Altaishina Φ -201



Tire size	10.0/75-15.3		
Standard name	TS 38.304-117		
Pattern type	Ground grip		
Tread pattern height in the middle, mm	17		
Ply rating	6	10	12
Tire weight, not more than, kg	24,9	25,6	25,4
Load-bearing capacity index	112	123	126
Recommended rim	9.00-15,3		
Outside diameter, mm	785±12		
Tire section width, mm, not more than	267		
Static radius, mm	355±8		
Q, kgf	1120/1565	1525/2135	1695/2375
V, km/h (index)	30(A6)/10(A2)		
P _O , at Q _{r,max} , kgf/cm ²	2,4	4,0	4,8
Version	TT		
Application	Road construction and handling machines, as well as low-bed trailers		

Tires for industrial machinery

NORTEC™

NorTec FT-216/ Altaishina ЛФ-268



For industrial
machinery

Tire size	8.25-15	
Standard name	TS 38.304-120	
Pattern type	Road with longitudinal grooves	
Tread pattern height in the middle, mm	16	
Ply rating	12	14
Tire weight, not more than, kg	32,1	32,1
Load-bearing capacity index	146	143
Recommended/additional rim	6,5/5,00S	
Outside diameter, mm	836±12	
Tire section width, mm, not more than	228	
Static radius, mm	384±6	388±6
Q, kgf	driv. 3000/guid. 3900	2725/4085
V, km/h (index)	25(A5)	50(B)/10(A2)
P ₀ , at Q _{rmax} , kgf/cm ²	7,1	8,2
Version	TT	
Application	Handling machines such as forklift PV-502, loaders UMZ AP, trailers UMZ AP	

Tires for industrial machinery

NORTEC[®]

NorTec FT-210



Tire size	8.15-15	
Standard name	TS 38.304-152	
Pattern type	Special with wide transverse ribs	
Tread pattern height in the middle, mm	12	
Ply rating	10	14
Tire weight, not more than, kg	24,9	21,5
Load-bearing capacity index	146	156
Recommended rim	7,00-15	
Outside diameter, mm	678±10	683±10
Tire section width, mm, not more than	210	217
Static radius, mm	305±5	310±7
Q_{max} , kgf	3000	3950
V_{max} , km/h (index)	25(A5)	
P_{D_0} at Q_{max} , kgf/cm ²	8,16	8,97
Version	TT	
Application	For forklift trucks DZ 2792 BALKAN-CAR, etc. with a capacity of up to 3 tons	

Tires for industrial machinery

NORTEC™

NorTec FT-215



For industrial
machinery

Tire size	6.50-10			7.00-12		
Standard name	TS 38.304-149			TS 38.304-215		
Pattern type	All seasons					
Tread pattern height in the middle, mm	15					
Ply rating	10	12	14	12	14	16
Tire weight, not more than, kg	13,8	14,7	19,8	21,6		
Load-bearing capacity index	122	125	128	133	134	136
Recommended rim	5,00F			5,00S		
Outside diameter, mm	588±9			672±9		
Tire section width, mm, not more than	177			192		
Static radius, mm	266±5			295±5		
Q _{max} , kgf	1500	1650	1800	2060	2120	2240
V _{max} , km/h (index)	25(A5)					
P ₀ , at Q _{max} , kgf/cm ²	7,9	9,2	10,2	8,7	9,2	10,2
Version	TT					
Application	For Kirovets loaders. For forklifts with a capacity up to 2 tons and electric carts			The tire is designed for use on forklift trucks with a capacity of 2 tons		

Tires for industrial machinery

NORTEC™

NorTec FT-214



Tire size	6.50-10			7.00-12		
Standard name	TS 38.304-149			TS 38.304-215		
Pattern type	All seasons					
Tread pattern height in the middle, mm	13					
Ply rating	10	12	14	12	14	16
Tire weight, not more than, kg	13,8	14,7		19,8	21,6	
Load-bearing capacity index	122	125	128	133	134	136
Recommended rim	5,00F			5,00S		
Outside diameter, mm	588±9			672±9		
Tire section width, mm, not more than	177			192		
Static radius, mm	266±5			295±5		
Q _{max} , kgf	1500	1650	1800	2060	2120	2240
V _{max} , km/h (index)	25(A5)					
P ₀ , at Q _{rmax} , kgf/cm ²	7,9	9,2	10,2	8,7	9,2	10,2
Version	TT					
Application	For Kirovets loaders. For forklifts with a capacity up to 2 tons and electric carts			The tire is designed for use on forklift trucks with a capacity of 2 tons		

Tires for industrial machinery

NORTEC[®]

NorTec FT-214



For industrial
machinery

Tire size	600-9			500-8		
Standard name	TS 38.304-216			TS 38.304-210		
Pattern type	All seasons					
Tread pattern height in the middle, mm	13			13		
Ply rating	6	10	12	6	8	10
Tire weight, not more than, kg	12,2	13,0		8,8		
Load-bearing capacity index	113	118	121	101	106	111
Recommended rim	4,00E			3,00D		
Outside diameter, mm	545±8			467±7		
Tire section width, mm, not more than	160			132		
Static radius, mm	245±5			213±5		
Q _{max} , kgf	1150	1320	1450	825	950	1090
V _{max} , km/h (index)	25(A5)					
P _O , at Q _{max} , kgf/cm ²	7,2	8,7	10,2	6,6	8,25	10,0
Version	TT					
Application	For handling machines			For forklifts with a capacity of up to 900 kg		

Tires for industrial machinery

NORTEC™

NorTec FT-215



Tire size	600-9			500-8		
Standard name	TS 38.304-216			TS 38.304-210		
Pattern type	All seasons					
Tread pattern height in the middle, mm	15			13		
Ply rating	6	10	12	6	8	10
Tire weight, not more than, kg	12,2	13,0		8,8		
Load-bearing capacity index	113	118	121	101	106	111
Recommended rim	4,00E			3,00D		
Outside diameter, mm	545±8			467±7		
Tire section width, mm, not more than	160			132		
Static radius, mm	245±5			213±5		
Q _{max} , kgf	1150	1320	1450	825	950	1090
V _{max} , km/h (index)	25(A5)					
P _O , at Q _{max} , kgf/cm ²	7,2	8,7	10,2	6,6	8,25	10,0
Version	TT					
Application	For operation in production and storage facilities, open areas with a hard surface on electric forklifts with a capacity of up to 2 tons			For forklifts with a capacity of up to 900 kg		

Tires for trucks, buses, trolleybuses

**We are together with you
under any conditions**

Always moving and always in a straight line. The reluctance to retreat is transformed into the ability to overcome. To pave the way where there is no road. Perseverance gives strength. Experience provides stability.

Acceleration is created by the unity of forces directed towards the goal.

For trucks, buses,
trolleybuses

Tires for trucks, buses, trolleybuses

NORTEC™

ИД-370



For trucks, buses,
trolleybuses

Tire size	21.5/75R21 (1350x550-533)		
Standard name	TS 22.1113-001-38881285		
Pattern type	Ground grip		
Tread pattern height in the middle, mm	23		
Ply rating	10		
Tire weight, not more than, kg	180		
Load-bearing capacity index	160	164	172
Recommended rim	440-533		
Outside diameter, mm	1350-15		
Tire section width, mm, not more than	550		
Static radius, mm	625+5/-15		
Q_{max} , kgf	4500	5000	6300
V_{max} , km/h (index)	90(G)	80(F)	65(D)
$P_{O'}$ at Q_{max} , kPa	540	590	640
Version	TT		
Application	For trucks		

Tires for trucks, buses, trolleybuses

NORTEC™

BN-3



Tire size	530/70-21 (1300x530-533)	
Standard name	GOST 13298	TS 38.304-201
Pattern type	Ground grip	
Tread pattern height in the middle, mm	21	
Ply rating	12	16
Tire weight, not more than, kg	121,6	136,6
Load-bearing capacity index	156	173
Recommended rim	440-533 (533-440)	
Outside diameter, mm	1280±15	
Tire section width, mm, not more than	525	530
Static radius, mm	585±7	580±9
Q_{max} , kgf	4000	6500
V_{max} , km/h (index)	80(F)	50(B)
P_{0r} at Q_{max} , kPa	390	610
Version	TT	
Application	For trucks such as KRAZ, BAZ, MAZ	

For trucks, buses,
trolleybuses

Tires for trucks, buses, trolleybuses

NORTEC™

Forward Traction И-П184



For trucks, buses,
trolleybuses

Tire size	1220x400-533
Standard name	TY 38.304-154
Pattern type	Ground grip
Tread pattern height in the middle, mm	23
Ply rating	10
Tire weight, not more than, kg	89,7
Load-bearing capacity index	142
Recommended rim	533-310 (310-533)
Outside diameter, mm	1200±15
Tire section width, mm, not more than	418
Static radius, mm	560±7
Q_{max} , kgf	2650
V_{max} , km/h (index)	90(G)
$P_{0'}$ at Q_{max} , kPa	315
Version	TT
Application	KamAZ-4310, 43015; NefAZ-4510 with 6x6 wheel arrangement

Tires for trucks, buses, trolleybuses

NORTEC™

NorTec TR-1260/ Forward Traction 1260



Tire size	425/85R21	
Standard name	TS 38.304-084	
Pattern type	Ground grip	
Tread pattern height in the middle, mm	25	
Ply rating	14	18
Tire weight, not more than, kg	114,4	117,5
Load-bearing capacity index	146	156
Recommended rim	533-310 (310-533)	
Outside diameter, mm	1260±19	
Tire section width, mm, not more than	425	
Static radius, mm	590±9	585±9
Q_{max} , kgf	3000	4000
V_{max} , km/h (index)	100(J)	90(G)
P_{0r} at Q_{max} , kPa	440	550
Version	TT	
Application	All-wheel drive vehicles such as KamAZ, URAL	

For trucks, buses,
trolleybuses

Tires for trucks, buses, trolleybuses

NORTEC™

NorTec TR-1260-1



For trucks, buses,
trolleybuses

Tire size	425/85R21	
Standard name	TS 38.304-150	
Pattern type	Ground grip	
Tread pattern height in the middle, mm	25	
Ply rating	14	18
Tire weight, not more than, kg	114,4	117,5
Load-bearing capacity index	146	156
Recommended rim	533-310 (310-533)	
Outside diameter, mm	1260±19	
Tire section width, mm, not more than	425	
Static radius, mm	590±9	585±9
Q_{max} , kgf	3000	4000
V_{max} , km/h (index)	110(K)	100(J)
$P_{O'}$ at Q_{max} , kPa	440	550
Version	TT	
Application	KamAZ-43118, -4326, -63501; URAL-6364, 6350 and their modifications	

Tires for trucks, buses, trolleybuses

NORTEC™

NorTec TR 184-1



Tire size	425/85R21		
Standard name	TS 38.304-138		
Pattern type	Ground grip		
Tread pattern height in the middle, mm	25		
Ply rating	14	18	20
Tire weight, not more than, kg	114,4	117,5	120,2
Load-bearing capacity index	146	156	160
Recommended rim	533-310 (310-533)		
Outside diameter, mm	1260±19		
Tire section width, mm, not more than	425		
Static radius, mm	580±9		
Q_{max} , kgf	3000	4000	4500
V_{max} , km/h (index)	110(K)	100(J)	
$P_{0, at Q_{max}}$, kPa	440	490	550
Version	TT		
Application	KamAZ-43118, -4326, -63501; URAL-6364, 6350 and their modifications		

For trucks, buses,
trolleybuses

Tires for trucks, buses, trolleybuses

NORTEC™

Forward Traction ИД-П284



For trucks, buses,
trolleybuses

Tire size	500/70-508 (1200x500-508)
Standard name	TS 38.304-085
Pattern type	Ground grip
Tread pattern height in the middle, mm	25
Ply rating	16
Tire weight, not more than, kg	106,6
Load-bearing capacity index	156
Recommended/additional rim	514-400/400Г-508
Outside diameter, mm	1185±15
Tire section width, mm, not more than	475
Static radius, mm	548±7
Q_{max} , kgf	4000
V_{max} , km/h (index)	80(F)
P_{or} at Q_{max} , kPa	520
Version	TT
Application	Ural-4320/43206 (chassis), Ural-43204 (timber carrier), Ural-5557 (dump truck), Ural- 3255 (all-terrain bus)

Tires for trucks, buses, trolleybuses

NORTEC™

N-159



Tire size	1600-20
Standard name	GOST 13298
Pattern type	Ground grip
Tread pattern height in the middle, mm	30
Ply rating	10
Tire weight, not more than, kg	133,9
Load-bearing capacity index	140
Recommended/additional rim	515-292/292-508
Outside diameter, mm	1384±10
Tire section width, mm, not more than	460
Static radius, mm	632±5
Q_{max} , kgf	2500
V_{max} , km/h (index)	70(E)
P_{D_0} at Q_{max} , kgf/cm ²	2,5
Version	TT
Application	KamAZ 65222, Ural 4320

For trucks, buses,
trolleybuses

Tires for trucks, buses, trolleybuses

NORTEC™

Altaishina OM-25



For trucks, buses,
trolleybuses

Tire size	14.00-20		
Standard name	GOST 13298/ TS 38.304-108	TS 38.304- 054	TS 38.104-043
Pattern type	Ground grip		
Tread pattern height in the middle, mm	26		
Ply rating	10	14	16
Tire weight, not more than, kg	91,3	91,3	97,4
Load-bearing capacity index	140/145	147	155
Recommended rim	515-254 (254Г-508)		10.00 8,50
Outside diameter, mm	1260±10		
Tire section width, mm, not more than	390		
Static radius, mm	583±5	585±5	583±5
Q_{max} , kgf	2500/2860	3100	3875
V_{max} , km/h (index)	85(G)		50(B)
P_{or} at Q_{max} , kPa	315/380	420	420
Version	TT		
Application	Ural-337, Ural-377 and their modifications; 2-, 3-, 4-axle vehicles Ural	Wheel-mounted crane KS-436- 1 A	

Tires for trucks, buses, trolleybuses

NORTEC™

Forward Traction 310



Tire size	1200R20
Standard name	TS 38.304-092
Pattern type	All seasons
Tread pattern height in the middle, mm	19
Ply rating	18
Tire weight, not more than, kg	76,3
Load-bearing capacity index	O-154/C-149
Recommended/additional rim	8,5-20/9,0-20
Outside diameter, mm	1122±17
Tire section width, mm, not more than	324
Static radius, mm	526±8
Q_{max} , kgf	O-3750/C-3250
V_{max} , km/h (index)	100(J)
P_{or} at Q_{max} , kPa	850
Version	TT
Application	KamAZ-6520, 65225, 65226; MAZ-63170, 63030, 63035; Ural-6364, 6365; Ural- Iveco-5531

For trucks, buses,
trolleybuses

Tires for trucks, buses, trolleybuses

NORTEC™

Forward Traction 75



For trucks, buses,
trolleybuses

Tire size	12.00R20
Standard name	TS 38.304-092
Pattern type	All seasons
Tread pattern height in the middle, mm	19
Ply rating	18
Tire weight, not more than, kg	77,3
Load-bearing capacity index	O-154/C-149
Recommended/additional rim	8,5-20/9,0-20
Outside diameter, mm	1122±17
Tire section width, mm, not more than	324
Static radius, mm	526±8
Q_{max} , kgf	O-3750/C-3250
V_{max} , km/h (index)	100(J)
$P_{O'}$ at Q_{max} , kPa	850
Version	TT
Application	KamAZ-6520; Iveco-330-30; MAZ-63170, 63030; Ural-6364, 6365, 6385; KrAZ-6510, 65055, 65032

Tires for trucks, buses, trolleybuses

NORTEC™

Altaishina ИД-304



Tire size	12.00R20			
Standard name	GOST 5513	TS 38.304-279		
Pattern type	All seasons			
Tread pattern height in the middle, mm	19			
Ply rating	14	16	18	20
Tire weight, not more than, kg	74,6	74,5	76,3	77,7
Load-bearing capacity index	O-146/ C-143	O-150/ C-146	O-154/ C-149	O-156/ C-153
Recommended/additional rim	8,50-20/9,0-20			
Outside diameter, mm	1122±17			
Tire section width, mm, not more than	313			
Static radius, mm	526±8			
Q _{max} , kgf	O-3000/ C-2725	O-3350/ C-3000	O-3750/ C-3250	O-4000/ C-3650
V _{max} , km/h (index)	100(J)			110(K)
P _{or} at Q _{max} , kPa	700	750	850 980	980
Version	TT			
Application	MAZ, KrAZ, trailers, trolleybuses ZiU-6835, ZiU-68213, ZiU-913			

For trucks, buses,
trolleybuses

Tires for trucks, buses, trolleybuses

NORTEC™

Altaishina BI-243



For trucks, buses,
trolleybuses

Tire size	12.00-20			
Standard name	GOST 5513		TS 38.304-236	
Pattern type	All seasons		Road	
Tread pattern height in the middle, mm	19			
Ply rating	14	16	18	20
Tire weight, not more than, kg	61,4	67,9	70,6	70,6
Load-bearing capacity index	O-146/ C-143	O-150/ C-146	O-154/ C-149	O-160/ C-154
Recommended/additional rim	8,5-20/9,0-20			
Outside diameter, mm	1120±16			
Tire section width, mm, not more than	312			
Static radius, mm	529±5			
Q _{max'} , kgf	O-3000/ C-2725	O-3350/ C-3000	O-3750/ C-3250	O-4500/ C-3750
V _{max'} , km/h (index)	85(G)		65(D)	
P _{or'} at Q _{max'} , kPa	550	680	770	885
Version	TT			
Application	MAZ-509A, 5454, 5429, KrAZ-275B-1, 643701 and their modifications; MAZ, KrAZ with a carrying capacity of 7-12 tons; trolleybuses ZiU-5 and ZiU-9			KaMAZ-6520, 65225

Tires for trucks, buses, trolleybuses

NORTEC™

Altaishina И-332



Tire size	1200R20
Standard name	TS 38.304-097
Pattern type	Road
Tread pattern height in the middle, mm	16
Ply rating	18
Tire weight, not more than, kg	77,3
Load-bearing capacity index	O-154/C-149
Recommended/additional rim	8,50-20/9,0-20
Outside diameter, mm	1122±17
Tire section width, mm, not more than	325
Static radius, mm	526±8
Q_{max} , kgf	O-3750/C-3250
V_{max} , km/h (index)	100(J)
P_{O_2} at Q_{max} , kPa	850
Version	TT
Application	MAZ, KrAZ and their trailers, coupled trolleybuses, ZiU-683B and ZiU-682V

For trucks, buses,
trolleybuses

Tires for trucks, buses, trolleybuses

NORTEC™

NorTec TR-93/ Forward Traction M-93/ Altaishina M-93



For trucks, buses,
trolleybuses

Tire size	1200-20	
Standard name	GOST 13298	TS 38.304-277
Pattern type	Ground grip	
Tread pattern height in the middle, mm	25	
Ply rating	8	12
Tire weight, not more than, kg	66,5	66,2
Load-bearing capacity index	129	135
Recommended/additional rim	514-228/228Г-508	
Outside diameter, mm	1142±8	
Tire section width, mm, not more than	335	
Static radius, mm	530±5	
Q_{max} , kgf	1850	2180
V_{max} , km/h (index)	80(F)	100(J)
P_{O_2} at Q_{max} , kPa	290	410
Version	TT	
Application	ZIL-131, ZIL-137	

Tires for trucks, buses, trolleybuses

NORTEC™

Forward Traction 310



Tire size	11.00R20
Standard name	TS 38.304-091
Pattern type	All seasons
Tread pattern height in the middle, mm	18
Ply rating	16
Tire weight, not more than, kg	61,8
Load-bearing capacity index	O-150/C-146
Recommended/additional rim	8,0-20/8,5-20
Outside diameter, mm	1082±16
Tire section width, mm, not more than	288
Static radius, mm	505±8
Q_{max} , kgf	O-3350/C-3000
V_{max} , km/h (index)	110(K)
P_{O_2} at Q_{max} , kgf/cm ²	820
Version	TT
Application	KAMAZ-5308, 65115, 6540; MAZ, KrAZ, analogues of foreign production

For trucks, buses,
trolleybuses

Tires for trucks, buses, trolleybuses

NORTEC™

Altaishina И-111А



For trucks, buses,
trolleybuses

Tire size	1100R20
Standard name	GOST 5513
Pattern type	Road
Tread pattern height in the middle, mm	15
Ply rating	16
Tire weight, not more than, kg	61,8
Load-bearing capacity index	O-150/C-146
Recommended/additional rim	8,0-20/8,5-20
Outside diameter, mm	1082±16
Tire section width, mm, not more than	286
Static radius, mm	505±8
Q_{max} , kgf	O-3350/C-3000
V_{max} , km/h (index)	110(K)
P_{D_0} at Q_{max} , kgf/cm ²	820
Version	TT
Application	Skoda and its modifications, Tatra-1-148, 9TR trolleybus, buses such as Ikarus-180, Ikarus-250

Tires for trucks, buses, trolleybuses

NORTEC™

Forward Traction N-281/ Forward Traction 281



Tire size	1000R20	
Standard name	GOST 5513	TS 38.304-282
Pattern type	All seasons	
Tread pattern height in the middle, mm	18	
Ply rating	16	18
Tire weight, not more than, kg	60,3	60,5
Load-bearing capacity index	O-146/C-143	O-149/C-146
Recommended/additional rim	7,5-20/7,0-20; 8,0-20	
Outside diameter, mm	1052±16	
Tire section width, mm, not more than	275	
Static radius, mm	491±7	
Q _{max} , kgf	O-3000/ C-2725	O-3250/ C-3000
V _{max} , km/h (index)	110(K)	100(J)
P _{or} at Q _{max} , kPa	800	932
Version	TT	
Application	KamAZ-5511, 55111 and their modifications	

For trucks, buses,
trolleybuses

Tires for trucks, buses, trolleybuses

NORTEC™

Forward Traction 310



For trucks, buses,
trolleybuses

Tire size	10.00R20
Standard name	GOST 5513
Pattern type	All seasons
Tread pattern height in the middle, mm	17
Ply rating	16
Tire weight, not more than, kg	60,3
Load-bearing capacity index	O-146/C-143
Recommended/additional rim	7,5-20/7,0-20; 8,0-20
Outside diameter, mm	1052±16
Tire section width, mm, not more than	275
Static radius, mm	491±7
Q_{max} , kgf	O-3000/C-2725
V_{max} , km/h (index)	110(K)
$P_{O'}$ at Q_{max} , kPa	800
Version	TT
Application	KamAZ-5511, -55111

Tires for trucks, buses, trolleybuses

NORTEC™

Forward Traction ОИ-73Б/ Altaishina ОИ-73Б



Tire size	10.00R20
Standard name	GOST 5513
Pattern type	Road
Tread pattern height in the middle, mm	14
Ply rating	16
Tire weight, not more than, kg	58,0
Load-bearing capacity index	O-146/C-143
Recommended/additional rim	7,5-20/7,0-20; 8,0-20
Outside diameter, mm	1052±16
Tire section width, mm, not more than	275
Static radius, mm	491±7
Q_{max} , kgf	O-3000/C-2725
V_{max} , km/h (index)	110(K)
P_{0r} at Q_{max} , kPa	800
Version	TT
Application	LiAZ, LAZ buses

For trucks, buses,
trolleybuses

Tires for trucks, buses, trolleybuses

NORTEC™

Forward O-405M



For trucks, buses,
trolleybuses

Tire size	9.00R20	
Standard name	GOST 5513	
Pattern type	All seasons	
Tread pattern height in the middle, mm	18	
Ply rating	12	14
Tire weight, not more than, kg	48,3	48,3
Load-bearing capacity index	O-136 / C-133	O-140 / C-137
Recommended/additional rim	7,0-20/6,5-20	
Outside diameter, mm	1018±15	
Tire section width, mm, not more than	258	
Static radius, mm	475±7	
Q_{max} , kgf	O-2240/C-2060	O-2500/C-2300
V_{max} , km/h (index)	100(J)	110(K)
P_{or} at Q_{max} , kPa	630	730
Version	TT	
Application	KamAZ, ZIL and their modifications, vehicle trailers	ZIL-4314, 4341 133ТЯ, KAMAZ

Tires for trucks, buses, trolleybuses

NORTEC™

Forward Traction И-Н142Б



Tire size	900R20	
Standard name	GOST 5513	
Pattern type	All seasons	
Tread pattern height in the middle, mm	18	
Ply rating	12	14
Tire weight, not more than, kg	48,3	
Load-bearing capacity index	O-136/C-133	O-140/C-137
Recommended/additional rim	7,0-20/6,5-20	
Outside diameter, mm	1018±15	
Tire section width, mm, not more than	258	
Static radius, mm	475±7	
Q _{max} , kgf	O-2240/ C-2060	O-2500/ C-2300
V _{max} , km/h (index)	100(J)	110(K)
P ₀ at Q _{r max} , kPa	630	730
Version	TT	
Application	KamAZ, ZIL and their modifications, vehicle trailers	ZIL-4314, 4341 133ТЯ, KAMAZ

For trucks, buses,
trolleybuses

Tires for trucks, buses, trolleybuses

NORTEC™

Altaishina KM-63



For trucks, buses,
trolleybuses

Tire size	8.25R20	
Standard name	GOST 5513	
Pattern type	All seasons	
Tread pattern height in the middle, mm	18	
Ply rating	10	12
Tire weight, not more than, kg	38,8	
Load-bearing capacity index	O-125/C-122	O-130/C-128
Recommended/additional rim	6,5-20/6,0-20	
Outside diameter, mm	962±14	
Tire section width, mm, not more than	230	
Static radius, mm	453±7	
Q_{max} , kgf	O-1650/ C-1500	O-1900/ C-1800
V_{max} , km/h (index)	100(J)	110(K)
$P_{O'}$ at Q_{max} , kPa	500	600
Version	TT	
Application	GAZ-53 and its modifications, PAZ buses	PAZ-3205 GAZ-53

Tires for trucks, buses, trolleybuses

NORTEC™

Forward Traction K-84



Tire size	8.25R20	
Standard name	GOST 5513	
Pattern type	All seasons	
Tread pattern height in the middle, mm	17	
Ply rating	10	12
Tire weight, not more than, kg	38,8	
Load-bearing capacity index	O-125/C-122	O-130/C-128
Recommended/additional rim	6,5-20/6,0-20	
Outside diameter, mm	962±14	
Tire section width, mm, not more than	230	
Static radius, mm	453±7	
Q_{max} , kgf	O-1650/ C-1500	O-1900/ C-1800
V_{max} , km/h (index)	100(J)	110(K)
P_{or} at Q_{max} , kPa	500	600
Version	TT	
Application	GAZ-53 and its modifications, PAZ buses	PAZ-3205 GAZ-53

For trucks, buses,
trolleybuses

Tires for trucks, buses, trolleybuses

NORTEC™

Altaishina 111



For trucks, buses,
trolleybuses

Tire size	8,25R20
Standard name	TS 38.304-090
Pattern type	All seasons
Tread pattern height in the middle, mm	18
Ply rating	10
Tire weight, not more than, kg	38,8
Load-bearing capacity index	O-125/C-122
Recommended/additional rim	6,5-20/6,0-20
Outside diameter, mm	962±14
Tire section width, mm, not more than	230
Static radius, mm	453±7
Q_{max} , kgf	O-1650/C-1500
V_{max} , km/h (index)	100(J)
$P_{0'}$ at Q_{max} , kPa	500
Version	TT
Application	GAZ-53A, 3307,3309; PAZ-3205,32051, 4230, 4234; KavZ-3976, 39765, 4230

Tires for trucks, buses, trolleybuses

NORTEC™

Altaishina 79



Tire size	8.25R20	
Standard name	TS 38.304-090	
Pattern type	Road	
Tread pattern height in the middle, mm	15	
Ply rating	12	14
Tire weight, not more than, kg	38,8	40,4
Load-bearing capacity index	O-130/C-128	O-133/C-131
Recommended/additional rim	6,5-20/6,0-20	
Outside diameter, mm	962±14	
Tire section width, mm, not more than	230	
Static radius, mm	453±7	
Q _{max} , kgf	O-1900/ C-1800	O-2060/ C-1950
V _{max} , km/h (index)	110(K)	
P ₀ at Q _{max} , kPa	600	680
Version	TT	
Application	GAZ-3307, 3309; PAZ-3205, 4230, 4234; KavZ-3976, 4238	

For trucks, buses,
trolleybuses

Tires for trucks, buses, trolleybuses

NORTEC™

NorTec TR-115



For trucks, buses,
trolleybuses

Tire size	12.00R18	
Standard name	TS 38.304-228	
Pattern type	Ground grip	
Tread pattern height in the middle, mm	20	
Ply rating	-	-
Tire weight, not more than, kg	71,6	74,6
Load-bearing capacity index	135	140
Recommended rim	465-228(228Г-457)	
Outside diameter, mm	1084±8	
Tire section width, mm, not more than	337	
Static radius, mm	505±5	
Q_{max} , kgf	2180	2500
V_{max} , km/h (index)	110(K)	
P_{or} at Q_{max} , kPa	490	630
Version	TT	
Application	For all-wheel drive vehicles GAZ-66 and ZIL-157, as well as similar foreign-made vehicles, for operation on improved roads with light coverage, transitional and unpaved roads of III and V categories	

Tires for trucks, buses, trolleybuses

NORTEC™

Nortec TR 70



Tire size	12.00-18	
Standard name	GOST 13298	TS 38.304-276
Pattern type	Ground grip	
Tread pattern height in the middle, mm	20	
Ply rating	8	12
Tire weight, not more than, kg	58,4	60,2
Load-bearing capacity index	124	129
Recommended rim	465-228(228Г-457)	
Outside diameter, mm	1084±8	
Tire section width, mm, not more than	337	
Static radius, mm	505±5	
Q_{max} , kgf	1600	1850
V_{max} , km/h (index)	80(F)	100(J)
P_{0r} at $Q_{r max}$, kPa	290	345
Version	TT	
Application	GAZ-66, ZIL-157, trailers to tractors such as K-700, K-701	

For trucks, buses,
trolleybuses

Tires for light trucks

**We are together with you
under any conditions**

Practicality. Nothing extra.

The tire market is extremely technological. Tire generations are changing at ever-increasing speeds. The principle of necessity and sufficiency is used in designing the technical specifications of NORTEC tires. Conducting constant research among consumers of tires of various specializations, the company's technologists develop the optimal composition and manufacturing technology that allow tires to effectively perform their functions during operation and maintain affordability at the same time.

For light trucks



Tires for light trucks

NORTEG™

Forward Professional 359



Tire size	225/75R16C
Standard name	TS 38.304-136
Pattern type	All seasons, non-directional
Tread pattern height in the middle, mm	12,5
Tire weight, not more than, kg	16,3
Load-bearing capacity index	O-121/C-120
Recommended/additional rim	61/2Jx16/6Jx16, 7Jx16
Outside diameter, mm	744±11
Tire section width, mm, not more than	228
Static radius, mm	343±5
Q_{max} , kgf	0-1450/C-1400
V_{max} , km/h (index)	140(N)
$P_{O, at Q_{max}}$, kgf/cm ²	5,8
Version	TL
Application	ZIL-5301, BAZ-3778 and small-class buses (M2/M3) ZIL-3250, -32501, -3246, PaskovAuto-3319, -3243, КАВ3-3244, 324410, as well as similar cars and buses of foreign production

Tires for light trucks

NORTEG™

Forward Professional 218



Tire size	225/75R16C
Standard name	TS 38.304-102
Pattern type	All seasons
Tread pattern height in the middle, mm	12
Tire weight, not more than, kg	15,8
Load-bearing capacity index	O-121/C-120
Recommended/additional rim	6Jx16/61/2Jx16, 7Jx16
Outside diameter, mm	744±11
Tire section width, mm, not more than	228
Static radius, mm	341±5
Q_{max} , kgf	0-1450/C-1400
V_{max} , km/h (index)	140(N)
P_{O_2} at Q_{max} , kgf/cm ²	5,8
Version	TL
Application	For light trucks of ZIL-5301 Bychok group, BAZ-3778 and small-class buses (M2 / MZ) ZIL-3250, -32501, -3246, PskovAuto-3319, -3243, KAvZ-3244, -324410

Tires for light trucks

NORTEG™

Forward Professional 219



Tire size	225/75R16	
Standard name	TS 38.304-104	
Pattern type	All seasons	
Tread pattern height in the middle, mm	9	
Tire weight, not more than, kg	17,4	15,3
Load-bearing capacity index	104	
Recommended/additional rim	6Jx16/6½Jx16, 7Jx16, 7½Jx16	
Outside diameter, mm	744±11	
Tire section width, mm, not more than	223	
Static radius, mm	342±5	
Q _{max} , kgf	900	
V _{max} , km/h (index)	170(R)	
P _O , at Q _{rmax} , kgf/cm ²	3,0	
Version	TT/TL	
Application	For 4x4 all-wheel drive cars of Jeep type	

Tires for light trucks

NORTEG™

Forward Professional 153



Tire size	225/75R16
Standard name	TS 38.304-100
Pattern type	Winter
Tread pattern height in the middle, mm	9
Tire weight, not more than, kg	17,4
Load-bearing capacity index	108
Recommended/additional rim	6Jx16/6½Jx16, 7Jx16, 7½Jx16
Outside diameter, mm	744±11
Tire section width, mm, not more than	223
Static radius, mm	343±5
Q_{max} , kgf	1000
V_{max} , km/h (index)	170(R)
P_{O_2} at Q_{max} , kgf/cm ²	3,4
Version	TT
Application	For 4x4 all-wheel drive passenger cars of UAZ group and foreign cars such as Jeeps

Tires for light trucks

NORTEG™

Forward Professional 600



Tire size	205/75R16C
Standard name	TS 38.304-124
Pattern type	All seasons
Tread pattern height in the middle, mm	9
Tire weight, not more than, kg	12,8
Load-bearing capacity index	O-110/C-108
Recommended/additional rim	5½Jx16/6Jx16, 6½Jx16
Outside diameter, mm	714±11
Tire section width, mm, not more than	203
Static radius, mm	326±5
Q _{max} , kgf	O-1060/C-1000
V _{max} , km/h (index)	170(R)
P _O , at Q _{max} , kgf/cm ²	4,7
Version	TL
Application	Light trucks and buses with a small capacity such as FIAT Ducato, VW Crafter, MB Spriner and a number of vehicles of a similar class

Tires for light trucks

NORTEG™

Forward 131



Tire size	195R16C
Standard name	TS 38.304-075
Pattern type	All seasons
Tread pattern height in the middle, mm	10,5
Tire weight, not more than, kg	14,1
Load-bearing capacity index	O-104/C-102
Recommended/additional rim	5½Jx16/5Jx16, 6Jx16
Outside diameter, mm	716±11
Tire section width, mm, not more than	199
Static radius, mm	331±5
Q _{max} , kgf	0-900/C-850
V _{max} , km/h (index)	140(N)
P _O , at Q _{max} , kgf/cm ²	3,75
Version	TT
Application	Gazelle GAZ-27057, -32217, -33027 and imported analogues

Tires for light trucks

NORTEG™

Forward Professional 139



Tire size	195R16C
Standard name	TS 38.304-101
Pattern type	Ground grip
Tread pattern height in the middle, mm	11
Tire weight, not more than, kg	14,1
Load-bearing capacity index	0-104/C-102
Recommended/additional rim	5½Jx16/5Jx16, 6Jx16
Outside diameter, mm	716±11
Tire section width, mm, not more than	198
Static radius, mm	331±5
Q _{max} , kgf	0-900/C-850
V _{max} , km/h (index)	140(N)
P ₀ , at Q _{max} , kgf/cm ²	3,75
Version	TT
Application	All-wheel drive light trucks and buses of an especially small class of Gazelle group such as GAZ-33027, 330275 27057, 32217, of Sobol group such as GAZ-2217, 2310, 2752 and their modifications of domestic and foreign production

Tires for light trucks

NORTEC™

NorTec LT-610



Tire size	185/75R16C
Standard name	TS 38.304-261
Pattern type	Winter
Tread pattern height in the middle, mm	10
Ply rating	-
Tire weight, not more than, kg	TT-13,0/TL-11,6
Load-bearing capacity index	O-104/C-102
Recommended/additional rim	5½Jx16/5Jx16, 6Jx16
Outside diameter, mm	684±10
Tire section width, mm, not more than	185
Static radius, mm	317±5
Q _{max} , kgf	O-900/C-850
V _{max} , km/h (index)	170(R)
P _O at Q _{max} , kgf/cm ²	4,8
Version	TT/TL
Application	Cars and buses of extra small capacity manufactured by the Gorky Automobile Plant of Gazelle group such as GAZ-3221, -3302, -2705, of Sobol group such as GAZ-2217, -2310, 2752 and their modifications

Tires for light trucks

NORTEG™

Forward Professional 600



Tire size	185/75R16C
Standard name	TS 38.304-099
Pattern type	All seasons
Tread pattern height in the middle, mm	9
Tire weight, not more than, kg	TT-12,2/TL- 10,8
Load-bearing capacity index	0-104/C-102
Recommended/additional rim	5½Jx16/5Jx16, 6Jx16
Outside diameter, mm	684±10
Tire section width, mm, not more than	192
Static radius, mm	316±5
Q _{max} , kgf	0-900/C-850
V _{max} , km/h (index)	160(Q)
P ₀ , at Q _{max} , kgf/cm ²	4,8
Version	TT/TL
Application	Cars of Gazelle group such as GAZ-3221,3302, 2705; of Sobol group such as GAZ-2217, 2310, 2752 and their modifications

Tires for light trucks

NORTEG™

Forward Professional 301



Tire size	185/75R16C
Standard name	TS 38.304-099
Pattern type	All seasons
Tread pattern height in the middle, mm	9
Tire weight, not more than, kg	TT -12,2/TL-10,8
Load-bearing capacity index	0-104/C-102
Recommended/additional rim	5½Jx16/5Jx16, 6Jx16
Outside diameter, mm	684±10
Tire section width, mm, not more than	192
Static radius, mm	316±5
Q _{max} , kgf	0-900/C-850
V _{max} , km/h (index)	170(R)
P _O , at Q _{max} , kgf/cm ²	4,8
Version	TT/TL
Application	Cars of Gazelle group such as GAZ-3221,3302, 2705; of Sobol group such as GAZ-2217, 2310, 2752 and their modifications

Tires for light trucks

NORTEG™

BC-1



Tire size	185/75R16C
Standard name	TS 38.304-060
Pattern type	All seasons
Tread pattern height in the middle, mm	9
Tire weight, not more than, kg	TT-12,2/TL-10,8
Load-bearing capacity index	0-104/C-102
Recommended/additional rim	5½Jx16/5Jx16, 6Jx16
Outside diameter, mm	684±10
Tire section width, mm, not more than	195
Static radius, mm	318±5
Q _{max} , kgf	0-900/C-850
V _{max} , km/h (index)	160(Q)
P ₀ , at Q _{max} , kgf/cm ²	4,8
Version	TT/TL
Application	Cars of Gazelle group such as GAZ-3221,3302, 2705; of Sobol group such as GAZ-2217, 2310, 2752 and their modifications

Tires for light trucks

NORTEG™

Forward Professional A-12



Tire size	185/75R16C
Standard name	TS 38.304-080
Pattern type	All seasons
Tread pattern height in the middle, mm	9,5
Tire weight, not more than, kg	TT-12,1/TL-10,7
Load-bearing capacity index	0-104/C-102
Recommended/additional rim	5½Jx16/5Jx16, 6Jx16
Outside diameter, mm	684±10
Tire section width, mm, not more than	188
Static radius, mm	316±5
Q _{max} , kgf	0-900/C-850
V _{max} , km/h (index)	160(Q)
P _O , at Q _{max} , kgf/cm ²	4,8
Version	TT/TL
Application	Cars of Gazelle group such as GAZ-3221,3302, 2705; of Sobol group such as GAZ-2217, 2310, 2752 and their modifications

Tires for light trucks

NORTEG™

Forward Professional 156



Tire size	185/75R16C
Standard name	TS 38.304-081
Pattern type	All seasons
Tread pattern height in the middle, mm	9
Tire weight, not more than, kg	TT-12,2/TL-10,8
Load-bearing capacity index	0-104/C-102
Recommended/additional rim	5½Jx16/5Jx1, 6Jx16
Outside diameter, mm	680±10
Tire section width, mm, not more than	184
Static radius, mm	315±5
Q _{max} , kgf	0-900/C-850
V _{max} , km/h (index)	160(Q)
P _O , at Q _{max} , kgf/cm ²	4,8
Version	TT/TL
Application	Cars of Gazelle group such as GAZ-3221,3302, 2705; of Sobol group such as GAZ-2217, 2310, 2752 and their modifications

Tires for light trucks

NORTEG™

Forward Professional 170



Tire size	185/75R16C
Standard name	TS 38.304-094
Pattern type	Road
Tread pattern height in the middle, mm	9
Tire weight, not more than, kg	TT-12,2/TL-10,8
Load-bearing capacity index	0-104/C-102
Recommended/additional rim	5½Jx16/5Jx16, 6Jx16
Outside diameter, mm	684±10
Tire section width, mm, not more than	185
Static radius, mm	316±5
Q _{max} , kgf	0-900/C-850
V _{max} , km/h (index)	160(Q)
P ₀ , at Q _{max} , kgf/cm ²	4,8
Version	TT/TL
Application	Cars of Gazelle group such as GAZ-3221,3302, 2705; of Sobol group such as GAZ-2217, 2310, 2752 and their modifications

Tires for light trucks

NORTEG™

Forward Professional 462



Tire size	175R16C
Standard name	TS 38.304-093
Pattern type	All seasons
Tread pattern height in the middle, mm	9
Tire weight, not more than, kg	12,0
Load-bearing capacity index	0-98/C-96
Recommended/additional rim	5Jx16/4½Jx16, 5½Jx16
Outside diameter, mm	684±10
Tire section width, mm, not more than	178
Static radius, mm	316±5
Q _{max} , kgf	0-750/C-710
V _{max} , km/h (index)	140(N)
P _O , at Q _{max} , kgf/cm ²	3,9
Version	TT
Application	Gazelle GAZ-3302, -33023, PskovAuto-2943, SEMAR-2934-010, GAZ-2705, PskovAuto-2214F vans and extra small class M1/M2 buses of the Gazelle group such as GAZ-3221, their modifications and cars and buses of foreign production of a similar class

Tires for light trucks

NORTEG™

Forward Professional 218



Tire size	175R16C
Standard name	TS 38.304-103
Pattern type	All seasons
Tread pattern height in the middle, mm	9
Tire weight, not more than, kg	12,0
Load-bearing capacity index	O-98/C-96
Recommended/additional rim	5Jx16/4½Jx16, 5½Jx16
Outside diameter, mm	684±10
Tire section width, mm, not more than	178
Static radius, mm	316±5
Q_{max} , kgf	O-750/C-710
V_{max} , km/h (index)	140(N)
$P_{O,}$ at Q_{max} , kgf/cm ²	3,9
Version	TT
Application	Light trucks and buses of extra small capacity of the Gazelle group such as GAZ-3302, -33023, -2705, -3221, and their modifications, SEMAR-3234, -2934, PskovAuto-2214, -2943

Tires for light trucks

NORTEG™

Forward Professional 520



Tire size	235/75R15
Standard name	TS 38.304-098
Pattern type	All seasons
Tread pattern height in the middle, mm	14
Tire weight, not more than, kg	17,2
Load-bearing capacity index	105
Recommended/additional rim	6½Jx15/6Jx15, 6Lx15, 7Jx15, 8Jx15
Outside diameter, mm	742±11
Tire section width, mm, not more than	234
Static radius, mm	333±5
Q _{max} , kgf	925
V _{max} , km/h (index)	180(S)
P _O , at Q _{max} , kgf/cm ²	2,5
Version	TL
Application	All-wheel drive cars such as UAZ-31512, 31514, Patriot, Hunter and their modifications of domestic and foreign production

Tires for light trucks

NORTEG[®]

Forward Professional И-502



Tire size	225/85R15C
Standard name	TS 38.304-083
Pattern type	All seasons
Tread pattern height in the middle, mm	11,5
Tire weight, not more than, kg	17,9
Load-bearing capacity index	106
Recommended/additional rim	6½Jx15/6Jx15, 6Lx15
Outside diameter, mm	768±11
Tire section width, mm, not more than	233
Static radius, mm	355±5
Q_{max} , kgf	950
V_{max} , km/h (index)	150(P)
P_O , at Q_{max} , kgf/cm ²	3,9
Version	TT
Application	UAZ vehicles and their modifications

Tires for light trucks

NORTEG™

Altaishina Я-245



Tire size	215/90-15C
Standard name	GOST 4754
Pattern type	All seasons
Tread pattern height in the middle, mm	14
Tire weight, not more than, kg	19,1
Load-bearing capacity index	99
Recommended/additional rim	6Lx15/6Jx15
Outside diameter, mm	777±12
Tire section width, mm, not more than	218
Static radius, mm	364±5
Q_{max} , kgf	775
V_{max} , km/h (index)	110(K)
P_O , at Q_{max} , kgf/cm ²	2,6
Version	TT
Application	UAZ-450 and its modifications

Tires for off-road vehicles, crossovers

**We are together with you
under any conditions**

Each person likes to communicate with nature, but he always encounters obstacles on his way that he cannot overcome without certain skills.

If you have no experience, you have to spend a lot of time and effort to drive a hundred or even ten meters. These can be snow or sand drifts, a ford or a deep puddle, a slippery slope and a hillside, washed out roads or deep track. These skills come with time, and knowledge of the basic techniques found by drivers and prompted by life itself will help keep it. Off-road tires from NORTEC are one of the best assistants in overcoming road obstacles.

For off-road vehicles,
crossovers



Tires for off-road vehicles, crossovers

NORTEC™

NorTec ET-500



Tire size	290/85-16 (35x11.5-16)	265/80-16 (33x10.5-16)	240/85-16 (32x9.5-16)
Standard name	TS 38.304-203	TS 38.304-205	TS 38.304-204
Pattern type	Ground grip		
Tread pattern height in the middle, mm	22,5	22	22
Tire weight, not more than, kg	35,1	30,5	27,9
Load-bearing capacity index	120	111	110
Recommended/additional rim	9J/8J, 8½J, 9½J, 10J	8½J/7½J, 8J, 9J, 9½J, 10J	7½J/6½J, 7J, 8J, 8½J, 9J
Outside diameter, mm	901±13	856±13	844±13
Tire section width, mm, not more than	309	276	257
Static radius, mm	408±6	396±6	389±6
Q _{max} , kgf	1400	1090	1060
V _{max} , km/h (index)	140(N)		
P _O , at Q _{max} , kgf/cm ²	3,2		
Version	TL		
Application	For all-wheel drive passenger cars with a 4x4 wheel arrangement of Jeep type, operated in extreme off-road conditions		

Tires for off-road vehicles, crossovers

NORTEC™

NorTec MT-540



Tire size	215/65R16	225/75R16
Standard name	TS 38.304-183	TS 38.304-137
Pattern type	Ground grip	
Tread pattern height in the middle, mm	14	
Tire weight, not more than, kg	14,2	17,8
Load-bearing capacity index	102	104
Recommended/additional rim	6½J/6,5J, 6J, 7J, 7,5J	6J/6½J, 7J, 7½J
Outside diameter, mm	686±10	747±11
Tire section width, mm, not more than	221	223
Static radius, mm	313±5	325±5
Q _{max} , kgf	850	900
V _{max} , km/h (index)	160(Q)	
P _O , at Q _{max} , kgf/cm ²	2,9	3,0
Version	TL	
Application	UAZ-3169 Patriot, UAZ-3151, Hunter all-wheel drive crossovers and SUVs of B+ and C+ class and their modifications, foreign-made Jeep-type cars	

Tires for off-road vehicles, crossovers

NORTEC™

NorTec WT-590



Tire size	215/65R16
Standard name	TS 38.304-196
Pattern type	Winter
Tread pattern height in the middle, mm	9,5
Tire weight, not more than, kg	12,6
Load-bearing capacity index	102
Recommended/additional rim	6½Jx16/6Jx16, 7Jx16, 7½Jx16, 8Jx16
Outside diameter, mm	686±10
Tire section width, mm, not more than	221
Static radius, mm	314±5
Q _{max} , kgf	850
V _{max} , km/h (index)	160(Q)
P _O , at Q _{max} , kgf/cm ²	2,9
Version	TL
Application	For operation on all-wheel drive SUVs, class B + and C + crossovers, operated on icy and snowy roads

Tires for off-road vehicles, crossovers

NORTEC™

NorTec WT-580



Tire size	205/70R16
Standard name	TS 38.304-186
Pattern type	Winter
Tread pattern height in the middle, mm	11
Tire weight, not more than, kg	12,5
Load-bearing capacity index	97
Recommended/additional rim	6Jx16/5Jx16, 5½Jx16, 6½Jx16, 7Jx16
Outside diameter, mm	694±10
Tire section width, mm, not more than	209
Static radius, mm	314±5
Q_{max} , kgf	730
V_{max} , km/h (index)	160(Q)
$P_{O'}$ at Q_{rmax} , kgf/cm ²	2,5
Version	TL
Application	Designed for operation on all-wheel drive vehicles (crossovers and SUVs of class B+ and C+) operating on all types of roads, including snowy roads of any category

Tires for off-road vehicles, crossovers

NORTEC™

Forward Dynamic 156



Tire size	185/75R16
Standard name	TS 38.304-122
Pattern type	All seasons
Tread pattern height in the middle, mm	9
Tire weight, not more than, kg	11,1
Load-bearing capacity index	92
Recommended/additional rim	5Jx16/5½Jx16, 6Jx16
Outside diameter, mm	684±10
Tire section width, mm, not more than	184
Static radius, mm	316±5
Q_{max} , kgf	630
V_{max} , km/h (index)	160(Q)
$P_{O'}$ at Q_{max} , kgf/cm ²	2,5
Version	TL
Application	All-wheel drive cars such as VAZ-2121, -2123 Niva, their modifications and a number of cars of foreign production of a similar class

Tires for off-road vehicles, crossovers

NORTEC™

Forward Dinamic 232



Tire size	185/75R16
Standard name	TS 38.304-123
Pattern type	All seasons
Tread pattern height in the middle, mm	8,5
Tire weight, not more than, kg	11,1
Load-bearing capacity index	95
Recommended/additional rim	5Jx16/5½Jx16, 6Jx16
Outside diameter, mm	684±10
Tire section width, mm, not more than	184
Static radius, mm	313±5
Q_{max} , kgf	690
V_{max} , km/h (index)	190(T)
$P_{O'}$ at Q_{max} , kgf/cm ²	2,5
Version	TL
Application	For operation on all-wheel drive cars of the VAZ-2123 Niva group and its modifications and cars of foreign production of a similar class

Tires for off-road vehicles, crossovers

NORTEC™

Forward Arctic 511



Tire size	175/80R16
Standard name	TS 38.304-106
Pattern type	Winter
Tread pattern height in the middle, mm	9
Tire weight, not more than, kg	12,9
Load-bearing capacity index	88
Recommended/additional rim	5Jx16/4½Jx16, 5½Jx16
Outside diameter, mm	686±10
Tire section width, mm, not more than	178
Static radius, mm	315±5
Q_{max} , kgf	560
V_{max} , km/h (index)	160(Q)
P_O , at Q_{max} , kgf/cm ²	2,3
Version	TT
Application	All-wheel drive passenger cars such as VAZ-2121, 2131 Niva, VAZ-21214 (Lada 4x4), VAZ-21310 (Lada 4x4), VAZ-21312 (Lada 4x4) and foreign-made cars of the same class

Tires for off-road vehicles, crossovers

NORTEC™

Forward Safari ВЛИ-10/ Altaishina ВЛИ-10



Tire size	175/80R16
Standard name	GOST 4754
Pattern type	Winter
Tread pattern height in the middle, mm	8
Tire weight, not more than, kg	12,2
Load-bearing capacity index	88
Recommended rim	5Jx16
Outside diameter, mm	686±10
Tire section width, mm, not more than	178
Static radius, mm	315±5
Q_{max} , kgf	560
V_{max} , km/h (index)	160(Q)
P_O , at Q_{max} , kgf/cm ²	2,3
Version	TT
Application	VAZ-2121, 21213, Niva, series-made and modernized

Tires for off-road vehicles, crossovers

NORTEC™

Forward Safari ВЛИ-5/ Altaishina ВЛИ-5



Tire size	175/80-16C
Standard name	GOST 4754
Pattern type	All seasons
Tread pattern height in the middle, mm	12
Tire weight, not more than, kg	10,8
Load-bearing capacity index	85
Recommended rim	5Jx16
Outside diameter, mm	692±10
Tire section width, mm, not more than	178
Static radius, mm	326±5
Q_{max} , kgf	515
V_{max} , km/h (index)	150(P)
P_O , at Q_{max} , kgf/cm ²	2,1
Version	TT
Application	VAZ-2121, 21213, Niva, series-made and modernized

Tires for off-road vehicles, crossovers

NORTEC™

NotTec ET-600/ Forward Safari 500



Tire size	33x12.5-15
Standard name	TS 38.304-125
Pattern type	Ground grip
Tread pattern height in the middle, mm	22
Tire weight, not more than, kg	31,3
Load-bearing capacity index	108
Recommended/additional rim	10Jx15/8½Jx15, 9Jx15, 11Jx15
Outside diameter, mm	850±13
Tire section width, mm, not more than	317
Static radius, mm	388±6
Q_{max} , kgf	1000
V_{max} , km/h (index)	120(L)
$P_{O'}$ at Q_{rmax} , kgf/cm ²	2,5
Version	TL
Application	All-wheel drive cross-country light trucks

Tires for off-road vehicles, crossovers

NORTEC™

Forward Safari 500



Tire size	31x10.5-15LT
Standard name	TS 38.304-087
Pattern type	Ground grip
Tread pattern height in the middle, mm	16
Tire weight, not more than, kg	22,06
Load-bearing capacity index	109
Recommended/additional rim	8½Jx15/7Jx15, 7½Jx15, 8Jx15, 9Jx15
Outside diameter, mm	787±12
Tire section width, mm, not more than	268
Static radius, mm	368±5
Q _{max} , kgf	1020
V _{max} , km/h (index)	140(N)
P _O , at Q _{max} , kgf/cm ²	3,1
Version	TT
Application	Passenger and dual-purpose off-road vehicles of 4x4 wheel arrangement, for UAZ off-road vehicles and analogues of foreign production

Tires for off-road vehicles, crossovers

NORTEC™

Forward Safari 530



Tire size	235/75R15
Standard name	TS 38.304-114
Pattern type	Ground grip
Tread pattern height in the middle, mm	14
Tire weight, not more than, kg	17,4
Load-bearing capacity index	105
Recommended/additional rim	6½Jx15/6Jx15, 6Lx15, 7Jx15
Outside diameter, mm	742±11
Tire section width, mm, not more than	234
Static radius, mm	333±5
Q _{max} , kgf	925
V _{max} , km/h (index)	150(P)
P _O , at Q _{rmax} , kgf/cm ²	2,5
Version	TL
Application	All-wheel drive cars such as UAZ-31512, 31514, Patriot, Hunter, their modifications and imported analogues

Tires for off-road vehicles, crossovers

NORTEC™

Forward Safari 540



Tire size	235/75R15
Standard name	TS 38.304-115
Pattern type	Ground grip
Tread pattern height in the middle, mm	16
Tire weight, not more than, kg	17,4
Load-bearing capacity index	105
Recommended/additional rim	6½/7x15/6Jx15, 6Lx15, 7Jx15, 7½Jx15, 8Jx15
Outside diameter, mm	746±11
Tire section width, mm, not more than	235
Static radius, mm	335±5
Q _{max} , kgf	925
V _{max} , km/h (index)	150(P)
P _O , at Q _{max} , kgf/cm ²	2,5
Version	TL
Application	All-wheel drive passenger cars such as UAZ-31512, 31514, Patriot, Hunter, their modifications and imported analogues of Jeep type

Tires for off-road vehicles, crossovers

NORTEC™

Forward Safari 510



Tire size	215/90-15C
Standard name	TS 38.304-105
Pattern type	Ground grip
Tread pattern height in the middle, mm	16
Tire weight, not more than, kg	19,1
Load-bearing capacity index	99
Recommended/additional rim	6Lx15/6Jx15
Outside diameter, mm	789±12
Tire section width, mm, not more than	218
Static radius, mm	370±5
Q_{max} , kgf	775
V_{max} , km/h (index)	110(K)
$P_{O'}$ at Q_{rmax} , kgf/cm ²	2,6
Version	TT
Application	Passenger cars and off-road light trucks with 4x4 wheel arrangement such as UAZ-31512, 31514, 469, UAZ-3741, 3962, 3909 and similar foreign-made vehicles

Tires for off-road vehicles, crossovers

NORTEC™

NorTec AT-560



Tire size	215/75R15
Standard name	TS 38.304-158
Pattern type	All seasons
Tread pattern height in the middle, mm	12,5
Tire weight, not more than, kg	13,8
Load-bearing capacity index	100
Recommended/additional rim	6Jx15/5½Jx15, 6½Jx15, 7Jx15
Outside diameter, mm	704±10
Tire section width, mm, not more than	215
Static radius, mm	316±5
Q_{max} , kgf	800
V_{max} , km/h (index)	160(Q)
P_{O} , at Q_{max} , kgf/cm ²	2,6
Version	TL
Application	For operation on all-wheel drive passenger cars of the Chevrolet-Niva group and a number of cars of foreign-made analogues

Tires for off-road vehicles, crossovers

NORTEC™

Forward Safari 540



Tire size	205/75R15
Standard name	TS 38.304-116
Pattern type	Ground grip
Tread pattern height in the middle, mm	14
Tire weight, not more than, kg	12,9
Load-bearing capacity index	97
Recommended/additional rim	5½Jx15/5Jx15, 6Jx15, 6½Jx15, 7Jx15
Outside diameter, mm	699±10
Tire section width, mm, not more than	205
Static radius, mm	314±5
Q_{max} , kgf	730
V_{max} , km/h (index)	160(Q)
$P_{O'}$ at Q_{rmax} , kgf/cm ²	2,5
Version	TL
Application	All-wheel drive passenger cars VAZ-2123 and imported analogues

Supernumerary car inner tubes

Inner tube designation	Designation of tires, including tubeless ones, classified as tube tires	Valve designation
For trucks		
1300x530-533	21,5/75R21 (1350x530-533) ИД-370 530/70-21 (1330x530-533) ВИ-3	PK-5-165; PK-5-145; ГК-165; PK-5A-145
1220x400-533	1220x400-533 И-П184; 425/85R21 TR-1260-1, TR-184-1	PK 5-165, ГК-170; PK-5A-165; PK-5A-145
1200x500-508	500/70-508 (1200x500-508) ИД-П284	PK-5A-145, ГК-170; EP-161
16,00-20	16,00-20 И-159	PK-10
12,00-24	CBK 12,00-24	ГК-145
14,00-20	14.00-20 ОИ-25	ГК-170, PK-5-120; PK-5A-145; ГК-165; EP-161
12,00-20	12.00R20 Forward Traction 310, Forward Traction 75, ИД-340 12.00-20 ВИ-243, И-332	ГК-145; EP-161
12.00-20 M-93	12,00-20 TR-93	ГК-145; EP-161
11,00-20	11.00R20 Forward Traction 310, И-111A	ГК-145
10,00-20	10.00R20 Forward Traction 281, Forward Traction 310, Forward Traction ОИ-73Б	ГК-145
9,00-20	9.00R20 Forward O-40M, For- ward Traction И-Н142Б	ГК-135
8,25-20	8.25R20 Forward Traction K-84,	ГК-115
12,00-18	12,00-18 TR-70, 12.00R18 TR-115	TK; ГК-125; PK-5-115
For agricultural and special machinery		
710-42	710/70R42 TA-01	TK
710/70-38 (620/70-42)	620/70R42 TA-01, 710/70R38 TA-01	TK
9.5-42	9.5R42 Ф-289, 9.5-42 Altaishina 183	TK
16.9-38	16.9R38 TA-03	TK
13,6-38	13,6-38 Я-166; 15,5-38 Ф-2АД	TK
18.4-34	18.4R34 TA-03	TK
30.5L-32	30.5R32 TA-04, 30.5L-32 H-04	TK
9,5-32	9,5-32 B-110	TK, GK-50
750/55-26.5	750/55B26.5 LS-01	TK
600/55-26.5	710/45B26.5 LS-01, 600/55B26.5 LS-01	TK
28,1-26	28.1-26 ФД-12Д; 28.1R26 TA-02	TK
23.1-26	23.1R26 TA-04, 23.1-26 H-04	TK
380-24	380/70R24 AC -202; 14.9R24 H-05	TK
360-24	360/70R24 AC-203	TK

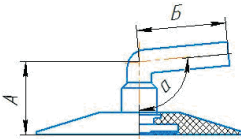
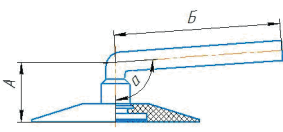
Supernumerary car inner tubes

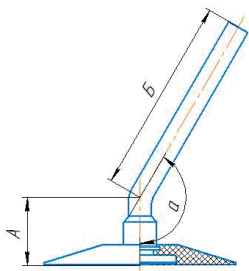
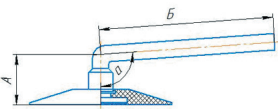
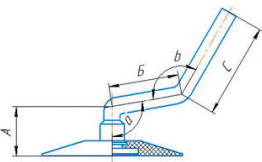
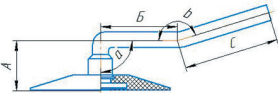
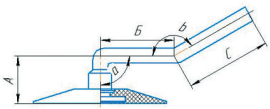
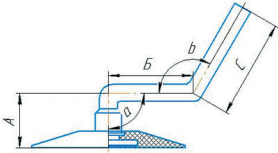
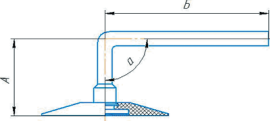
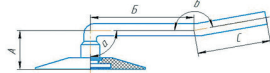
Inner tube designation	Designation of tires, including tubeless ones, classified as tube tires	Valve designation
21,3-24	21,3-24 ИЯВ-79; 21.3/70R24TA-05	ГК-105, ТК
18,4-24	21.3-24 24 ИЯВ-79, 18,4-24 H-05	ТК
16,0-20	16.0/70-20 TA-03	ТК
13,6-20	13.6-20 TA-02	ТК
11,2-20	11,2-20 Ф-35	ТК, ГК-50
9,00-20	9.00-20 Altaishina 45	
8,3-20	8,3-20 B-105A	ТК, ГК-50
7,50-20	7,50-20 B-103; 9,00-20 Altaishina 45	ЛК16,5
16,5-18	16,5/70-18 КФ-97	ГК-115
15,5-18/16,5-18	16,5/70-18 КФ-97; 15,5/65-18 КФ-105A	ГК-115
12,5/80-18	12,5/80-18 IM-21	ТК
12-16	12-16 Л-163; 12,4L-16 Nortec TS- 07; 13.0/75-16 Nortec IM-06	ГК-105
9,00-16	260/95-16 (9.00-16) Я-324A; F AC-8	ГК-95
6,00-16	6.00-16 IM-08	ЛК35-16,5
6,50-16	6,50-16 Я-275A	ЛК35-16,5
10,0/75-15.3	10.0/75-15.3 IM-27, IM-24 11.5/80-15.3 IM-21;	ЛК35-16,5
8,25-15	8.25-15 IM-18	ЛК35-16,5
5,00-10	5,00-10 B-19A	ЛК35-16,5
6L-12	6L-12 Altaishina 421	ЛК35-11,7
4,00-10	4.00-10 IM-10	ЛК35-11,7
For industrial machines		
16,9-28/18,6-26 /16,9-24	16,9-28 TC-107; 18,4-26 TC-107; 16,9-24 TC-108	ТК
28,1-25	29,5/75R25 TC-19; 28,1-25 ДФ-16A;	ТК
26,5-25	26,5-25 ER-122, ER-205, ER- 323;	ГК-260
23,5-25	23,5-25 IND 247, ER-106, ER- 205, ER-612;	ГК-260
20,5-25	20,5-25 ER-106, ER-205, ER- 612,	ГК-260
18,00-25	18.00-25 IND 76;	EP-161
17,5-25	17,5-25 ER-106, ER-121, ER-205, ER-612;	ГК-230
21,3-24	21.3/70R24 TA-05;	ТК; ГК-105
16,00-24	16.00-24 Forward Industrial 140;	EP-161
14,00-24	14.00-24 GD-106;	ГК-170
14,00-20	14.00-20 GA-113	ГК-170
12,00-20	12.00-20 ER-112	ГК-145
11,00-20	11.00-20 CT-311	ГК-145
10,00-20	10.00-20 ER-109	ГК-145
12,5/80-18	12,5/80-18 TC-106	ТК
10,0/75-15.3	10.0/75-15.3 ER-117, Ф-201	ЛК 35-16,5
8,25-15	8.25-15 ЛФ-268	ГК-115

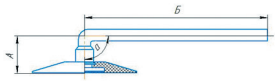
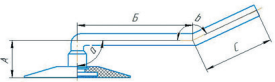
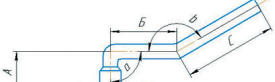

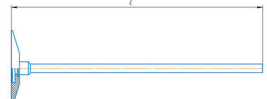
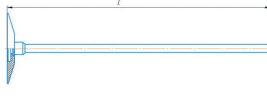


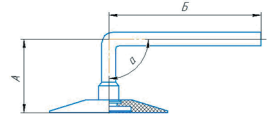
Supernumerary car inner tubes

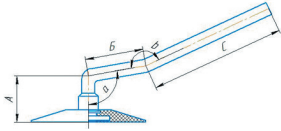
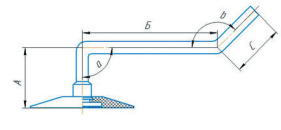
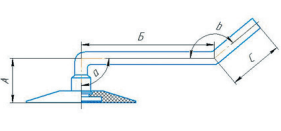
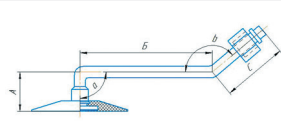
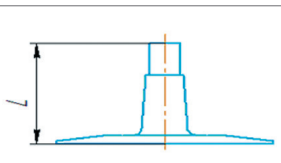
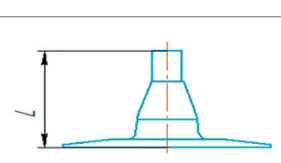
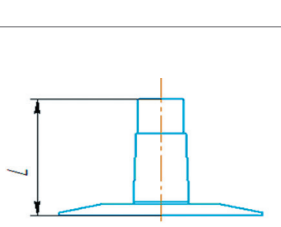
Inner tube designation	Designation of tires, including tubeless ones, classified as tube tires	Valve designation
8.15-15	8,15-15 FT-210	ГК-105
7.00-12	7.00-12 FT-214, FT-215	ГК-95
6.00-10	6.50-10 FT-214, FT-215	ГК-95
6.00-9	6.00-9 FT-214, FT-215	ГК-50
5.00-8	5.00-8 FT-214, FT-215	ГК-115
For passenger and light vehicles		
6.95-16	195R16C; 185/75R15C; 175/80R16; 175/80-16C; 175R16C; 225/75R16; 225/70R16C	ЛК, ГК-115
6.50-16	225/75R16C; 225/75R16; 195R16C; 175R16C;	ЛК35-16,5
8.40-15	225/75R16C; 225/75R16; 235/75R15; 225/85R15C; 31X10.2-15TL; 215/90-15C	ЛК35-11,7
7.35-14	205/70R15; 195/65R15; 205/70R14; 205/65R15	ЛК35-11,7
УК-13М	175-13/6.95-13; 175/70R13; 165-13/6.45-13; 155-13/6.15-13; 640-13C	ЛК35-11,7

Valve specifications

Inner tube size	Valve type	Bending scheme	Parameters
6,00-9 8,3-20 9,5-32	ГК-50		A=24±2 B=26±2 $\alpha=95^\circ\pm 2$ Ø=8
6,00-10 7,00-12 9,00-16	ГК-95		A=24±2 B=71±2 $\alpha=94^\circ\pm 2$ Ø=8

9,00-16	ГК-95		A=24±2 B=71±2 $\alpha=150^\circ\pm 2$ Ø=8
8,15-15	ГК-105		A=24±2 B=80±2 $\alpha=94^\circ\pm 2$ Ø=8
12-16	ГК-105		A=24±2 B=34±2 C=46±2 $\alpha=100^\circ\pm 2$ $\beta=130^\circ\pm 2$ Ø=8
21,3-24	ГК-105		A=24±2 B=38±2 C=45±2 $\alpha=90^\circ\pm 2$ $\beta=150^\circ\pm 2$ Ø=8
5,00-8 6,95-16 8,25-15 8,25-20 185-15	ГК-115		A=24±2 B=46±2 C=45±2 $\alpha=90^\circ\pm 2$ $\beta=150^\circ\pm 2$ Ø=8
15,5-18 16,5-18	ГК-115		A=24±2 B=45±2 C=46±2 $\alpha=90^\circ\pm 2$ $\beta=120^\circ\pm 2$ Ø=8
12-18	ГК-125		A=42,7±2 B=89±2 $\alpha=90^\circ\pm 2$ Ø=8
9,00-20	ГК-135		A=24±2 B=65±2 C=46±2 $\alpha=90^\circ\pm 2$ $\beta=170^\circ\pm 2$ Ø=8

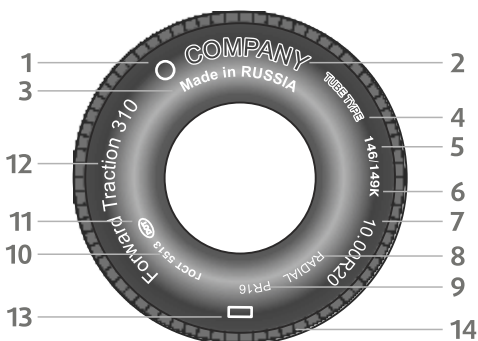
10,00-20	ГК-145		A=24±2 B=121±2 $\alpha=90^\circ\pm 2$ Ø=8
11,00-20 12,00-20	ГК-145		A=24±2 B=75±2 C=46±2 $\alpha=90^\circ\pm 2$ $\beta=155^\circ\pm 2$ Ø=8
215-16	ГК-115		A=26±2 B=37±2 C=52±2 $\alpha=90^\circ\pm 2$ $\beta=150^\circ\pm 2$ Ø=8
14,00-20	ГК-170		A=28±2 B=95±2 C=47±2 $\alpha=90^\circ\pm 2$ $\beta=140^\circ\pm 2$ Ø=8
17,5-25	ГК-230		L=230 Ø=8 Bending is agreed with the customer
20,5-25	ГК-260		L=260 Ø=8 Bending is agreed with the customer
23,5-25	ГК-260		A=24±2 B=236±2 $\alpha=90^\circ\pm 2$ Ø=
16,00-24 18,00-25	EP161		L=161 Ø=8 Bending is agreed with the customer
12-18	PK-5-120		A=42,7±2 B=89±2 $\alpha=90^\circ\pm 2$ Ø=8

M-93 1300*530- 533	PK-5- 145		A=28±2 B=35±2 C=82±2 $\alpha=100^\circ\pm 2$ $\beta=165^\circ\pm 2$ Ø=8
1220*400- 533	PK-5- 165		A=40±2 B=90±2 C=35±2 $\alpha=90^\circ\pm 2$ $\beta=135^\circ\pm 2$ Ø=8
1300*530- 533	PK-5- 165		A=28±2 B=84±2 C=53±2 $\alpha=90^\circ\pm 2$ $\beta=140^\circ\pm 2$ Ø=8
14,00-20 1200*500- 508	PK- 5A-145		A=28±2 B=95±2 C=22±2 $\alpha=90^\circ\pm 2$ $\beta=140^\circ\pm 2$ Ø=8
4,00-10 6,00-16 УК-13М УК-14М 6,95-16 7,35-14 8,40-15 215-16	ЛК		L=35 Ø=8
5,00-10 6-12 6,50-16 7,50-20 10/75- 15,3 185-15	ЛК- 16,5		L=35 Ø=8
8,3-20 9,5-32 9,5-42 11,2-20 13,6-20 13,6-38 16,0-20 380-24 360-24 16,9-38 18,4-24 18,4-34 23,1-26 28,1-25 28,1-26 30,5-32	ТК		L=41 Ø=8

Tire flaps

Tire flap designation	Tire designation	RD designation	Tire flap dimensions
130-10	6,50-10	TS 38.304-149	Overall dimensions are determined by the mold.
130-12	7,00-10	TS 38.304-215	
170-15	8,15-15	TS 38.304-152	
8,25-15	8,25-15	TS 38.304-120 TS 38.304-119	
9,5-15,3	10,0/75-15,3	TS 38.304-117	
6,7-20	8.25R20, 9.00R20	GOST 5513	
205-457	12,00-18	GOST 13298	
7,7-20	12,00-20, 10,00R20, 11,00R20, 12,00R20	TS 38.304-092 TS 38.304-091 GOST 5513 TS 38.304-097 TS 38.304-068	
7,7-20 (205-508)	12,00-20 M-93	TS 38.304-277	
300-508	14,00-20	GOST 13298 TS 38.304-108	
16,5-18	16,5/70-18	TS 38.304-089	
16,5-18	15,5/65-18	TS 38.304-110	
475-533	530/70-21	TS 38.304-201	
450-508	1220x400-533 1200x500-508	TS 38.304-154 TS 38.304-085	
340-533	1200x400-533 425/85R21	TS 38.304-154 TS 38.304-138 TS 38.304-150 TS 38.304-201	
23,5-25	23,5-25	TS 38.304-246	
17,5-25 /18,00-25	17,5-25 18,00-25	TS 38.304-241 TS 38.304-132	

Car tire marking



- | | |
|---------------------------------|-------------------------------------|
| 1 – trademark, logo | 10 – regulatory document indication |
| 2 – brand name | 11 – official approval mark |
| 3 – country of origin | 12 – tire model designation |
| 4 – tube type | 13 – date of manufacture |
| 5 – load-bearing capacity index | 14 – wear indicator (twi or Δ) |
| 6 – speed index | |
| 7 – tire size designation | |
| 8 – design indication | |
| 9 – ply rating | |

The numbers in the marking of a diagonal tire (for example, 6.15-13/155-13) mean:

- 6.15** – nominal tire profile width in inches
- 13** – rim diameter in inches;
- 155** – nominal tire profile width in mm.

The numbers and letters in the marking of a radial tire (for example, Forward Traction 310 10.00R20 146/143K Radial Tube type) mean:

- 10.00** – profile width (in inches);
- Forward Traction 310** – model;
- 20** – nominal bead seat diameter (in inches);
- R** – radial tire designation;
- Tube type** – tubed version of a tire;
- 146/143** – load-bearing capacity index for single and dual wheels;
- K** – tire speed category index (maximum allowable vehicle speed in km/h).

Radial – radial tire

All seasons – all season tire

Maximum Load – maximum load

Maximum Pressure – maximum pressure corresponding to the maximum load. Load is indicated in pounds (LBS) and pressure is indicated in pounds per square inch (PSI) for the tire in a "cold" condition (1 LBS=0.4536 kg; 1 PSI=0.0069 MPa).

TUBE TYPE or TT (in German – MIT SCHLAUCH) – tube tire designation

TUBELESS or TL – tubeless tire designation

PR (PLY RATING) – strength (load-bearing capacity) of the frame is conditionally estimated by the so-called ply rating. For passenger cars, tires with a ply rating of 4PR and sometimes 6PR are used, and in this case the latter have the inscription "Reinforced", i.e., a "reinforced" tire with an increased bearing capacity.

Contacts

Russia: +7 (3852) 200-342 (wholesale)

1	Barnaul	88006000114
2	Novosibirsk	88006000136
3	Tomsk	88006000138
4	Irkutsk	88006000153
5	Krasnoyarsk	88006000172
6	Novokuznetsk	88006000183
7	Nizhny Novgorod	88006000186
8	Belgorod	88006000194
9	Chelyabinsk	88006000447
10	Rostov-on-Don	88006000491
11	Yekaterinburg	88006000487
12	Volgograd	88006000483
13	Stavropol	88006000469
14	Samara	88006000466
15	Saint Petersburg	88006000087
16	Moscow	88006000092
17	Krasnodar	88006000094
18	Voronezh	88007005092

656023, Russia,
Altai Region, Barnaul,
Kosmonavtov Pr., h. 12/9

2022/1

Export: +7 (3852) 22-19-55
Belarus, Hungary, Bulgaria
+7 (3852) 22-19-55 ext.: 64-73.
Kazakhstan +7 (3852) 22-19-55 ext.: 64-60

Armenia, Azerbaijan
Georgia, Afghanistan
Pakistan, Serbia
Poland, Latvia
Lithuania, Slovakia
Romania, Turkey
Egypt +7 (3852) 22-19-55 ext.: 64-72,
Ukraine, Moldova, Mongolia, Cuba,
Czech Republic, Germany
+7 (3852) 22-19-55 ext.: 64-63

Uzbekistan, Tajikistan
Turkmenistan, Kyrgyzstan
+7 (3852) 22-19-55 ext.: 64-71